

Reciprocating Compressor

2C43E3

2C582SE-F3, 2C582SE-F385

2C58LE3

2C58SE3

2C60L-F3, 2C60S-F3

3H64QLLR2

3H64QNLR@2, 3H64QNLYE@2, 3H64QN-R, 3H64QN-R@2, 3H64QN-YE, 3H64QN-YE@2

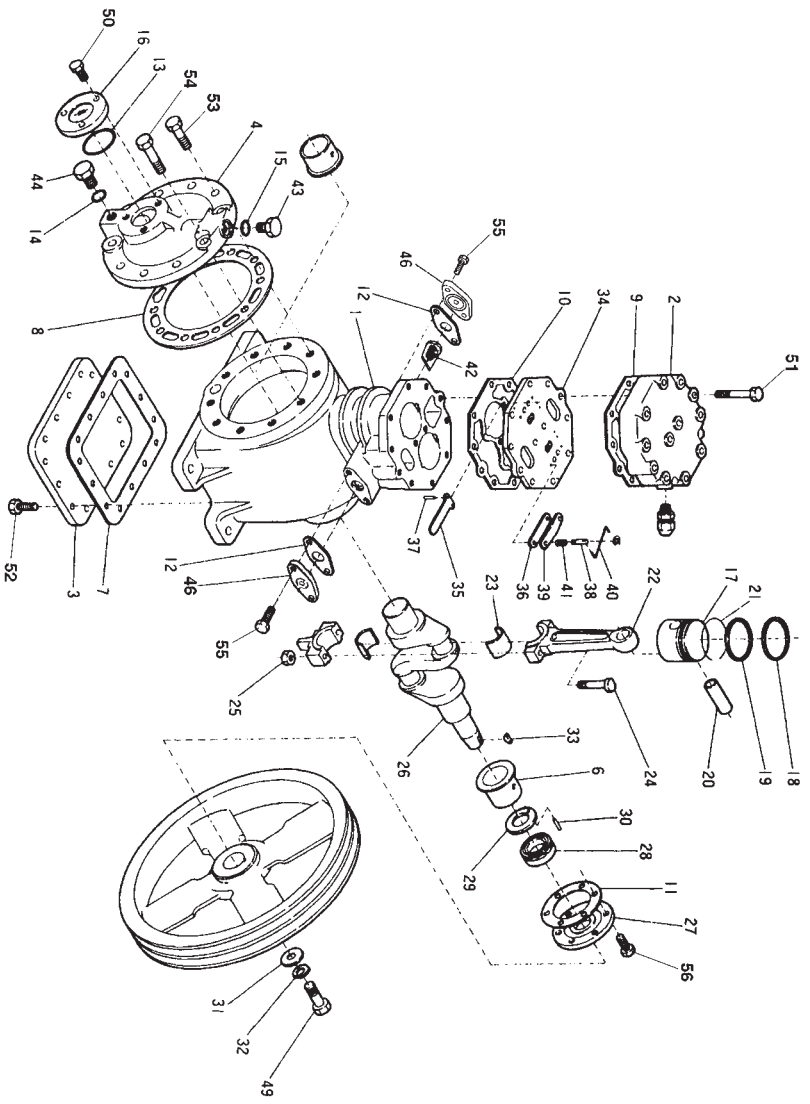
6C58A3

8C582A3

8CC552-3

PL-1005-6

DAIKIN



2C43E3

| No. | Index | Parts No. | Parts Name | Drwg. No. | Parts Model & Specification | Q'ty/Unit | Wiring Symbol | Notes |
|-----|-------|-----------|------------------------------------|-------------|-----------------------------|-----------|---------------|-------|
| | | | | | | 2C43E3 | | |
| 1 | | | FRAME | R2112875-1 | | 1 | | |
| 2 | | 101100 | CYLINDER HEAD COVER | R3112920-1 | | 1 | | |
| 3 | | | BOTTOM COVER | R3112917 | | 1 | | |
| 4 | | | BEARING/ COUNTER SEAL SIDE | R2112926-1 | | 1 | | |
| 6 | | | BEARING METAL/ SHAFT SEAL SIDE | R3112892-1 | | 1 | | |
| 7 | C | 0390462 | PACKING/ BOTTOM COVER | R4112918-1 | 2C43(2)E | 1 | | |
| 8 | C | 0390479 | PACKING/ COUNTER PUMP SIDE BEARING | R4112919-1 | 2C43(2)E | 1 | | |
| 9 | C | 0390486 | PACKING/ CYLINDER HEAD | R4112928-1 | 2C43(2)E | 1 | | |
| 10 | C | 0390501 | PACKING/ VALVE SEAT | R416870-1 | 2C43(2)E | 1 | | |
| 11 | C | 0390493 | PACKING/ SEAL SIDE COVER | R415387-1 | 2C40L/M | 1 | | |
| 12 | C | 0132293 | PACKING/ STOP VALVE | 4PC01279-2 | T1.0 | 2 | | |
| 13 | C | 205123 | O-RING | TA31011-22 | M352/PHI27 LEVEL GAUGE | 1 | | |
| 14 | C | 100110 | O-RING | R411751-1 | D14.5X D2.5 | 1 | | |
| 15 | C | 264207 | O-RING | TA31011-12 | POR-P16 | 1 | | |
| 16 | C | 205106 | SIGHT GLASS | ME42051-2 | D27 D60X T7.3 | 1 | | |
| 17 | | 101210 | PISTON | R312649 | | 2 | | |
| 18 | | | PISTON RING | R412567-1 | | 2 | | |
| 19 | | | OIL RING | R412596-1 | | 2 | | |
| 20 | | 134206 | PISTON PIN | 3PC00174-18 | | 2 | | |
| 21 | | 134208 | RETAINER RING/ PISTON | R412569 | | 2 | | |
| 22 | | 101230 | CONNECTING ROD ASSY. | R312647 | | 2 | | |
| 23 | | 101231 | CRANK PIN METAL | R312638 | | 2 | | |
| 24 | | 101232 | RETAINER BOLT/ CONNECTING ROD | R4296058 | | 4 | | |
| 25 | | 102212A | LOCK NUT/ CONNECTING ROD | R429774-8 | | 4 | | |
| 26 | | 101310 | CRANK SHAFT | R313802 | | 1 | | |
| 27 | | 0226725 | SIDE COVER/ SHAFT SEAL SIDE | R415421-1 | | 1 | | |
| 28 | | 100401 | SHAFT SEAL | R315419 | JC7/8B | 1 | | |
| 29 | | 100404A | CLAMP/ SHAFT SEAL | R413363-1 | 2C43E | 1 | | |
| 30 | | 102404 | KNOCK PIN/ SHAFT SEAL | R413280 | 2C48B2C40M | 2 | | |
| 31 | | 100307 | WASHER/ CRANK SHAFT | R413160 | | 1 | | |
| 32 | | | SPRING WASHER/ SHAFT | 4SK07101-8N | | 1 | | |
| 33 | | 100306 | KEY/ CRANK SHAFT | TI41013-1 | | 1 | | |
| 34 | | | VALVE SEAT | R316514-1 | | 1 | | |
| 35 | | 101611 | SUCTION VALVE PLATE | R416869 | | 2 | | |
| 36 | | 100602 | DISCHARGE VALVE PLATE | R416509 | | 2 | | |
| 37 | | 102613 | KNOCK PIN/ SUCTION VALVE | R416193 | D2.4X 9L | 4 | | |

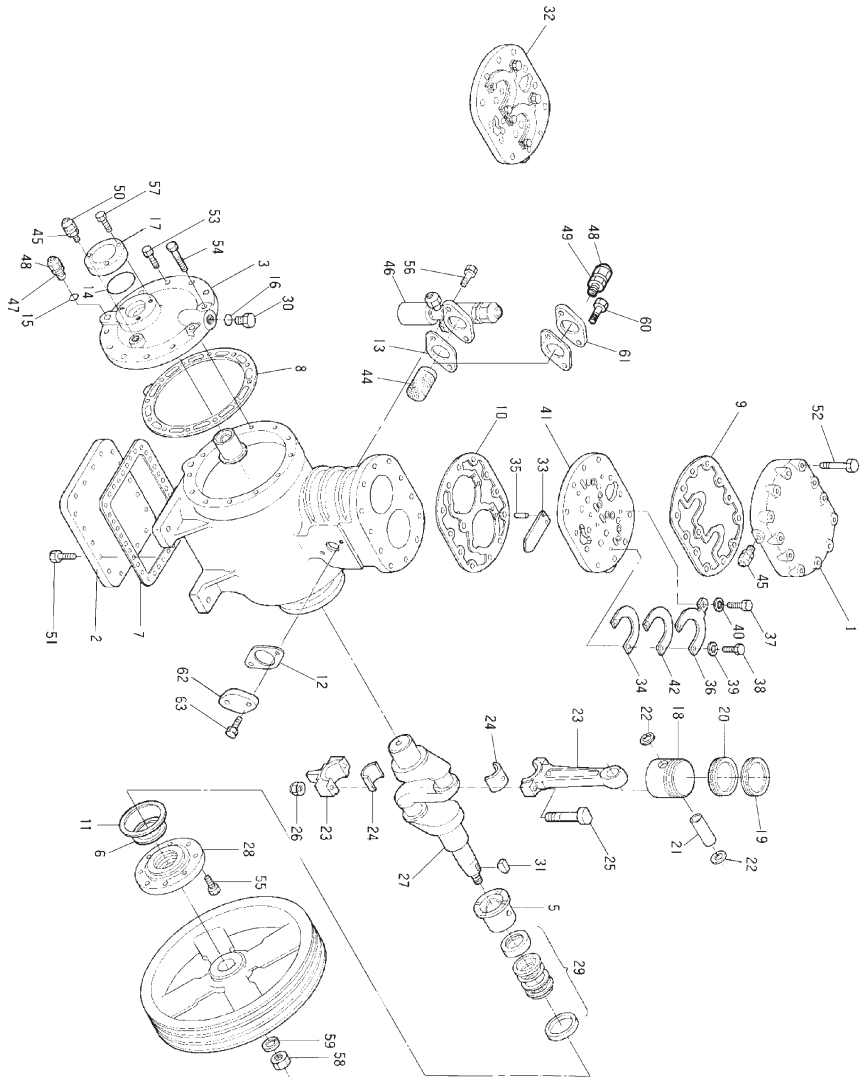
2C43E3

| No. | Index | Parts No. | Parts Name | Drwg. No. | Parts Model & Specification | Q'ty/Unit | Wiring Symbol | Notes |
|-----|-------|-----------|----------------------------|---------------|-----------------------------|-----------|---------------|-------|
| | | | | | | 2C43E3 | | |
| 38 | | 100606A | KNOCK PIN/ DISCHARGE VALVE | R416512-1-1 | | 4 | | |
| 39 | | 100608 | DISCHARGE VALVE GLAND | R416510-1 | | 2 | | |
| 40 | | 100609 | WIRE | R416512-2 | | 2 | | |
| 41 | | 101613 | SPRING/ DISCH. VALVE PLATE | R416867 | | 4 | | |
| 42 | C | 101510 | SUCTION FILTER | R4261090-1 | | 1 | | |
| 43 | | 100120 | OIL CHARGE PLUG | R4141334 | | 1 | | |
| 44 | | 100115 | OIL DRAIN PLUG | NI41011-2 | PUG3/8 | 1 | | |
| 46 | | 261129 | BLIND FLANGE | R4221143 | | 2 | | |
| 49 | | 0978747 | SET BOLT (PUMP) | 4SK01005-25TN | M8X 25 T10 | 1 | | |
| 50 | | 139903 | HEX. BOLT/ OIL LEVEL GAUGE | 4SK01004-16N | M6X 16 | 3 | | |
| 51 | | 0978608 | SET BOLT | 4SK01005-40TN | M8X 40 T10 | 12 | | |
| 52 | | 132905 | HEX. BOLT | SI41005-22TN | M8X 22 | 14 | | |
| 53 | | 0978730 | SET BOLT | 4SK01005-20TN | M8X 20 T10 | 8 | | |
| 54 | | 0978608 | SET BOLT | 4SK01005-40TN | M8X 40 T10 | 2 | | |
| 55 | | | HEX. BOLT/ SIDE COVER | 4SK01005-20N | M8X 20 | 4 | | |
| 56 | | | HEX. HEAD BOLT | SI41003-16TN | | 6 | | |

Note

1:Components of shaft seal are not available individually. So/ replace a complete shaft seal assy with a new one.

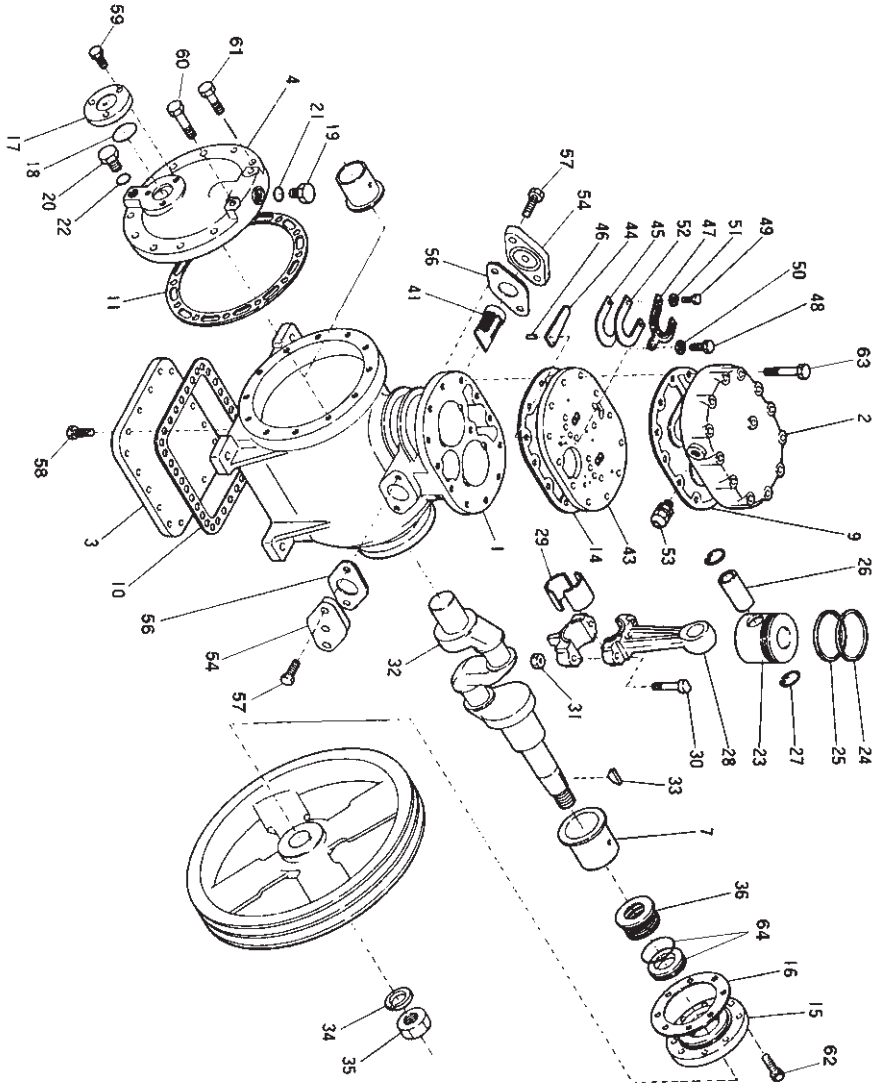
2:In case valve seat should be replaced/ replace a complete valve seat assy with a new one.



2C582SE-F3 / 2C582SE-F385

| No. | Index | Parts No. | Parts Name | Drwg. No. | Parts Model & Specification | Q'ty/Unit | | Wiring Symbol | Notes |
|-----|-------|-----------|----------------------------------|---------------|------------------------------|--------------------|----------------------|---------------|-------|
| | | | | | | 2C 582 SE-F3 | 2C 582 SE-F385 | | |
| 1 | | 0058287 | CYLINDER HEAD COVER | R2112921-1 | | 1 | 1 | | |
| 2 | | 0154604 | BOTTOM COVER | R3112923 | 150 X 181 | 1 | 1 | | |
| 3 | | 104103 | BEARING/ COUNTER SHAFT SEAL SIDE | R2112927-2-KA | | 1 | 1 | | |
| 5 | | 0367239 | BEARING METAL/ SHAFT SEAL SIDE | R41145-1 | | 1 | 1 | | |
| 6 | | 104421 | DUST SEAL | R415423-2 | FELT D37 X T4 | 1 | 1 | | |
| 7 | C | 0139155 | PACKING/ BOTTOM COVER | R3112924-2 | T0.5 ASBEST FREE JOINT SHEET | 1 | 1 | | |
| 8 | C | 0139148 | PACKING/ COUNTER SHAFT SEAL | R3112925-2 | T0.5 ASBEST FREE JOINT SHEET | 1 | 1 | | |
| 9 | C | 0139124 | PACKING/ CYLINDER HEAD COVER | R3112922-3 | | 1 | 1 | | |
| 10 | C | 0139131 | PACKING/ VALVE SEAT | R3112922-4 | T0.8 ASBEST FREE JOINT SHEET | 1 | 1 | | |
| 11 | C | 0139162 | PACKING/ SIDE COVER | R41505-2 | | 1 | 1 | | |
| 12 | C | 0136358 | PACKING/ STOP VALVE | R4112049-2 | T1.0 ASBEST FREE JOINT SHEET | 1 | 1 | | |
| 13 | C | 0132293 | PACKING/ STOP VALVE | 4PC01279-2 | T1.0 ASBEST FREE JOINT SHEET | 1 | 1 | | |
| 14 | C | 205123 | O-RING | TA31011-22 | M352/PHI27 LEVEL GAUGE | 1 | 1 | | |
| 15 | C | 100110 | O-RING | R411751-1 | D14.5XD2.5 | 2 | 2 | | |
| 16 | C | 264207 | O-RING | TA31011-12 | POR-P16 | 1 | 1 | | |
| 17 | C | 205106 | SIGHT GLASS | ME42051-2 | D27 D60X T7.3 | 1 | 1 | | |
| 18 | | 104215 | PISTON | R312652 | | 2 | 2 | | |
| 19 | | 104207 | PRESSURE RING | R412365-1 | T2.0 | 2 | 2 | | |
| 20 | | 104208 | OIL RING | R412364-1 | T3.5 | 2 | 2 | | |
| 21 | | 104205 | PISTON PIN | 3PC00174-7 | | 2 | 2 | | |
| 22 | | 104206 | RETAINING RING/ PISTON PIN | R412221-1 | | 4 | 4 | | |
| 23 | | 104220 | CONNECTING ROD | R312650-1 | | 2 | 2 | | |
| 24 | | 105204 | CRANK PIN METAL | R312164-1 | | 4 | 4 | | |
| 25 | | 101232 | RETAINER BOLT/ CONNECTING ROD | R4296058 | | 4 | 4 | | |
| 26 | | 102212A | LOCK NUT/ CONNECTING ROD | R429774-8 | | 4 | 4 | | |
| 27 | | 104310 | CRANK SHAFT | R213803-1 | | 1 | 1 | | |
| 28 | | 105406 | SIDE COVER/ SHAFT SEAL | R415365-1 | D104 X 17 | 1 | 1 | | |
| 29 | | 104410 | SHAFT SEAL | R315420 | 28MM | 1 | 1 | | |
| 30 | | 100120 | OIL CHARGE PLUG | R4141334 | | 1 | 1 | | |
| 31 | | 105310 | KEY/ CRANK SHAFT | TI41013-3 | | 1 | 1 | | |
| 32 | | 104621 | VALVE SEAT ASSY. | R316864:2-1 | | 1 | 1 | | |
| 33 | A | 104622 | SUCTION VALVE PLATE | R416871 | T0.508 | 2 | 2 | | |
| 34 | A | 132612 | DISCHARGE VALVE PLATE | R416585 | T0.381 | 2 | 2 | | |
| 35 | | 132651 | KNOCK PIN/ SUCTION VALVE PLATE | R429383-1 | D3X 8L | 4 | 4 | | |
| 36 | | 0227502 | GUIDE/ DICSH. VALVE PLATE | R416911 | C58A T2.3 61X 68 | 2 | 2 | | |
| 37 | | 132653 | SET BOLT/ DISCHARGE VALVE | R4296001 | M5X11.5 | 2 | 2 | | |

— TOP —



2C58LE3

| No. | Index | Parts No. | Parts Name | Drwg. No. | Parts Model & Specification | Q'ty/Unit | Wiring Symbol | Notes |
|-----|-------|-----------|--------------------------------|---------------|------------------------------|-----------|---------------|-------|
| | | | | | | 2C58LE3 | | |
| 1 | | | FRAME | R4113096-1 | | 1 | | |
| 2 | | 0058287 | CYLINDER HEAD COVER | R2112921-1 | | 1 | | |
| 3 | | 0154604 | BOTTOM COVER | R3112923 | 150 X 181 | 1 | | |
| 4 | | | JOURNAL BEARING | R2112927-1-KA | | 1 | | |
| 7 | | 0367239 | BEARING METAL/ SHAFT SEAL SIDE | R41145-1 | | 1 | | |
| 9 | C | 0139124 | PACKING/ CYLINDER HEAD COVER | R3112922-3 | | 1 | | |
| 10 | C | 0139155 | PACKING/ BOTTOM COVER | R3112924-2 | T0.5 ASBEST FREE JOINT SHEET | 1 | | |
| 11 | C | 0139148 | PACKING/ COUNTER SHAFT SEAL | R3112925-2 | T0.5 ASBEST FREE JOINT SHEET | 1 | | |
| 14 | C | 0139131 | PACKING/ VALVE SEAT | R3112922-4 | T0.8 ASBEST FREE JOINT SHEET | 1 | | |
| 15 | | 105406 | SIDE COVER/ SHAFT SEAL | R415365-1 | D104 X 17 | 1 | | |
| 16 | C | 0139162 | PACKING/ SIDE COVER | R41505-2 | | 1 | | |
| 17 | C | 205106 | SIGHT GLASS | ME42051-2 | D27 D60X T7.3 | 1 | | |
| 18 | C | 205123 | O-RING | TA31011-22 | M352/PHI27 LEVEL GAUGE | 1 | | |
| 19 | | 100120 | OIL CHARGE PLUG | R4141334 | | 1 | | |
| 20 | | 100115 | OIL DRAIN PLUG | NI41011-2 | PUG3/8 | 1 | | |
| 21 | C | 264207 | O-RING | TA31011-12 | POR-P16 | 1 | | |
| 22 | C | 100110 | O-RING | R411751-1 | D14.5X D2.5 | 3 | | |
| 23 | | 104215 | PISTON | R312652 | | 2 | | |
| 24 | | 104207 | PRESSURE RING | R412365-1 | T2.0 | 2 | | |
| 25 | | 104208 | OIL RING | R412364-1 | T3.5 | 2 | | |
| 26 | | 104205 | PISTON PIN | 3PC00174-7 | | 2 | | |
| 27 | | 104206 | RETAINING RING/ PISTON PIN | R412221-1 | | 4 | | |
| 28 | | 104221 | CONNECTING ROD | R312650-2 | | 2 | | |
| 29 | | 105204 | CRANK PIN METAL | R312164-1 | | 4 | | |
| 30 | | 101232 | RETAINER BOLT/ CONNECTING ROD | R4296058 | | 4 | | |
| 31 | | 102212A | LOCK NUT/ CONNECTING ROD | R429774-8 | | 4 | | |
| 32 | | 104311 | CRANK SHAFT | R213804-1 | | 1 | | |
| 33 | | 105310 | KEY/ CRANK SHAFT | TI41013-3 | | 1 | | |
| 34 | | 0205526 | LOCK WASHER | 4SK07101-20N | M20 | 1 | | |
| 35 | | 0979050 | HEX. NUT/ CRANK SHAFT | 4SK06001-20N | M20 5T | 1 | | |
| 36 | | 104410 | SHAFT SEAL | R315420 | 28MM | 1 | | |
| 41 | C | 104521 | SUCTION FILTER | R4261090-2 | D26X 53L | 1 | | |
| 43 | | 0367121 | VALVE SEAT | R216865 | 130X 172 | 1 | | |
| 44 | A | 104622 | SUCTION VALVE PLATE | R416871 | T0.508 | 2 | | |
| 45 | A | 132612 | DISCHARGE VALVE PLATE | R416585 | T0.381 | 2 | | |
| 46 | | 132651 | KNOCK PIN/ SUCTION VALVE PLATE | R429383-1 | D3X 8L | 4 | | |

2C58LE3

| No. | Index | Parts No. | Parts Name | Drwg. No. | Parts Model & Specification | Q'ty/Unit | Wiring Symbol | Notes |
|-----|-------|-----------|------------------------------|---------------|------------------------------|-----------|---------------|-------|
| | | | | | | 2C58LE3 | | |
| 47 | | 0227502 | GUIDE/ DICSH. VALVE PLATE | R416911 | C58A T2.3 61X 68 | 2 | | |
| 48 | | 132653 | SET BOLT/ DISCHARGE VALVE | R4296001 | M5X 11.5 | 2 | | |
| 49 | | 132652 | SET BOLT/ DISCHARGE VALVE | R429779 | M4X 11.5 | 4 | | |
| 50 | | 132614 | LOCK WASHER | R416661 | | 2 | | |
| 51 | | 102618 | LOCK WASHER | W429054 | | 4 | | |
| 52 | | 104625 | SPRING/ DISCH. VALVE PLATE | R416866 | T0.508 | 2 | | |
| 53 | | 292011 | GAUGE JOINT WITH CHECK VALVE | 2PF00177-1 | VCG2DA NPTF1/8-27 D6.4CUT | 1 | | |
| 54 | | 0225746 | FLANGE (2) | R4111918-1 | | 2 | | |
| 56 | C | 0136358 | PACKING/ STOP VALVE | R4112049-2 | T1.0 ASBEST FREE JOINT SHEET | 2 | | |
| 57 | | 139906 | HEX. BOLT/ SUCTION FILTER | 4SK01006-20N | M10X 20 | 4 | | |
| 58 | | 0533050 | SET BOLT | 4SK01005-25N | M8X 25 | 18 | | |
| 59 | | 139903 | HEX. BOLT/ OIL LEVEL GAUGE | 4SK01004-16N | M6X 16 | 3 | | |
| 60 | | 0978608 | SET BOLT | 4SK01005-40TN | M8X 40 T10 | 2 | | |
| 61 | | 0978747 | SET BOLT (PUMP) | 4SK01005-25TN | M8X 25 T10 | 10 | | |
| 62 | | 0533050 | SET BOLT | 4SK01005-25N | M8X 25 | 8 | | |
| 63 | | 139905 | HEX. BOLT | 4SK01005-55TN | M8X 55 10T | 13 | | |
| 64 | | 104421 | DUST SEAL | R415423-2 | FELT D37 X T4 | 1 | | |

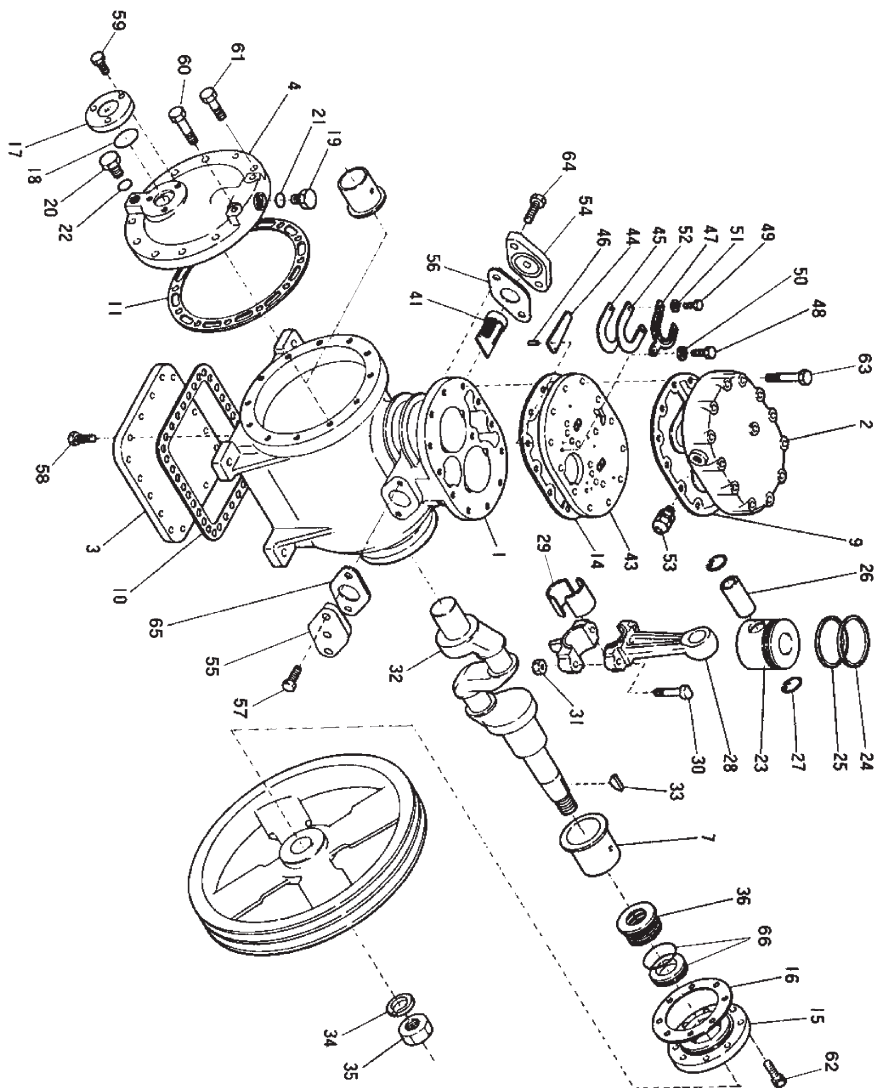
Note

1:Components of shaft seal are not available individually. So/ replace a complete shaft seal assy with a new one.

2:In case valve seat should be replaced/ replace a complete valve seat assy with a new one.

2C58SE3

2C58SE3



— TOP —

2C58SE3

| No. | Index | Parts No. | Parts Name | Drwg. No. | Parts Model & Specification | Q'ty/Unit | Wiring Symbol | Notes |
|-----|-------|-----------|--------------------------------|---------------|------------------------------|-----------|---------------|-------|
| | | | | | | 2C58SE3 | | |
| 1 | | | FRAME | R4113095-1 | | 1 | | |
| 2 | | 0058287 | CYLINDER HEAD COVER | R2112921-1 | | 1 | | |
| 3 | | 0154604 | BOTTOM COVER | R3112923 | 150 X 181 | 1 | | |
| 4 | | | JOURNAL BEARING | R2112927-1-KA | | 1 | | |
| 7 | | 0367239 | BEARING METAL/ SHAFT SEAL SIDE | R41145-1 | | 1 | | |
| 9 | C | 0139124 | PACKING/ CYLINDER HEAD COVER | R3112922-3 | | 1 | | |
| 10 | C | 0139155 | PACKING/ BOTTOM COVER | R3112924-2 | T0.5 ASBEST FREE JOINT SHEET | 1 | | |
| 11 | C | 0139148 | PACKING/ COUNTER SHAFT SEAL | R3112925-2 | T0.5 ASBEST FREE JOINT SHEET | 1 | | |
| 14 | C | 0139131 | PACKING/ VALVE SEAT | R3112922-4 | T0.8 ASBEST FREE JOINT SHEET | 1 | | |
| 15 | | 105406 | SIDE COVER/ SHAFT SEAL | R415365-1 | D104 X 17 | 1 | | |
| 16 | C | 0139162 | PACKING/ SIDE COVER | R41505-2 | | 1 | | |
| 17 | C | 205106 | SIGHT GLASS | ME42051-2 | D27 D60X T7.3 | 1 | | |
| 18 | C | 205123 | O-RING | TA31011-22 | M352/PHI27 LEVEL GAUGE | 1 | | |
| 19 | | 100120 | OIL CHARGE PLUG | R4141334 | | 1 | | |
| 20 | | 100115 | OIL DRAIN PLUG | NI41011-2 | PUG3/8 | 1 | | |
| 21 | C | 264207 | O-RING | TA31011-12 | POR-P16 | 1 | | |
| 22 | C | 100110 | O-RING | R411751-1 | D14.5X D2.5 | 3 | | |
| 23 | | 104215 | PISTON | R312652 | | 2 | | |
| 24 | | 104207 | PRESSURE RING | R412365-1 | T2.0 | 2 | | |
| 25 | | 104208 | OIL RING | R412364-1 | T3.5 | 2 | | |
| 26 | | 104205 | PISTON PIN | 3PC00174-7 | | 2 | | |
| 27 | | 104206 | RETAINING RING/ PISTON PIN | R412221-1 | | 4 | | |
| 28 | | 104220 | CONNECTING ROD | R312650-1 | | 2 | | |
| 29 | | 105204 | CRANK PIN METAL | R312164-1 | | 4 | | |
| 30 | | 101232 | RETAINER BOLT/ CONNECTING ROD | R4296058 | | 4 | | |
| 31 | | 102212A | LOCK NUT/ CONNECTING ROD | R429774-8 | | 4 | | |
| 32 | | 104310 | CRANK SHAFT | R213803-1 | | 1 | | |
| 33 | | 105310 | KEY/ CRANK SHAFT | TI41013-3 | | 1 | | |
| 34 | | 0205526 | LOCK WASHER | 4SK07101-20N | M20 | 1 | | |
| 35 | | 0979050 | HEX. NUT/ CRANK SHAFT | 4SK06001-20N | M20 T5 | 1 | | |
| 36 | | 104410 | SHAFT SEAL | R315420 | 28MM | 1 | | |
| 41 | C | 104521 | SUCTION FILTER | R4261090-2 | D26X 53L | 1 | | |
| 43 | | 0367121 | VALVE SEAT | R216865 | 130X 172 | 1 | | |
| 44 | A | 104622 | SUCTION VALVE PLATE | R416871 | T0.508 | 2 | | |
| 45 | A | 132612 | DISCHARGE VALVE PLATE | R416585 | T0.381 | 2 | | |
| 46 | | 132651 | KNOCK PIN/ SUCTION VALVE PLATE | R429383-1 | D3X 8L | 4 | | |

2C58SE3

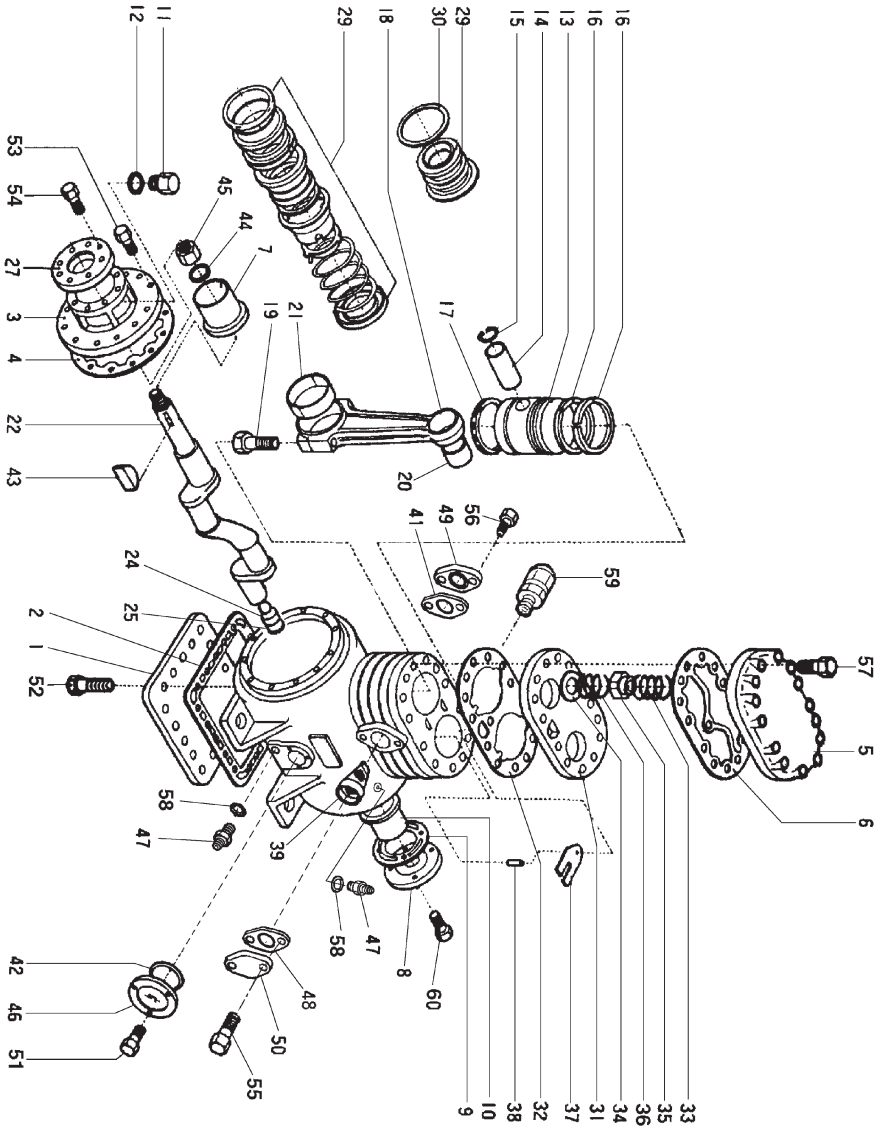
| No. | Index | Parts No. | Parts Name | Drwg. No. | Parts Model & Specification | Q'ty/Unit | Wiring Symbol | Notes |
|-----|-------|-----------|------------------------------|---------------|------------------------------|-----------|---------------|-------|
| | | | | | | 2C58SE3 | | |
| 47 | | 0227502 | GUIDE/ DICSH. VALVE PLATE | R416911 | C58A T2.3 61X 68 | 2 | | |
| 48 | | 132653 | SET BOLT/ DISCHARGE VALVE | R4296001 | M5X 11.5 | 2 | | |
| 49 | | 132652 | SET BOLT/ DISCHARGE VALVE | R429779 | M4X 11.5 | 4 | | |
| 50 | | 132614 | LOCK WASHER | R416661 | | 2 | | |
| 51 | | 102618 | LOCK WASHER | W429054 | | 4 | | |
| 52 | | 104625 | SPRING/ DISCH. VALVE PLATE | R416866 | T0.508 | 2 | | |
| 53 | | 292011 | GAUGE JOINT WITH CHECK VALVE | 2PF00177-1 | VCG2DA NPTF1/8-27 D6.4CUT | 1 | | |
| 54 | | 261129 | BLIND FLANGE | R4221143 | | 1 | | |
| 55 | | 0225746 | FLANGE (2) | R4111918-1 | | 1 | | |
| 56 | C | 0132293 | PACKING/ STOP VALVE | 4PC01279-2 | | 1 | | |
| 57 | | 139906 | HEX. BOLT/ SUCTION FILTER | 4SK01006-20N | M10X 20 | 2 | | |
| 58 | | 0533050 | SET BOLT | 4SK01005-25N | M8X 25 | 18 | | |
| 59 | | 139903 | HEX. BOLT/ OIL LEVEL GAUGE | 4SK01004-16N | M6X 16 | 3 | | |
| 60 | | 0978608 | SET BOLT | 4SK01005-40TN | M8X 40 T10 | 2 | | |
| 61 | | 0978747 | SET BOLT (PUMP) | 4SK01005-25TN | M8X 25 T10 | 10 | | |
| 62 | | 0533050 | SET BOLT | 4SK01005-25N | M8X 25 | 8 | | |
| 63 | | 139905 | HEX. BOLT | 4SK01005-55TN | M8X 55 T10 | 13 | | |
| 64 | | | HEX. BOLT/ SIDE COVER | 4SK01005-20N | M8X 20 | 2 | | |
| 65 | C | 0136358 | PACKING/ STOP VALVE | R4112049-2 | T1.0 ASBEST FREE JOINT SHEET | 1 | | |
| 66 | | 104421 | DUST SEAL | R415423-2 | FELT D37 X T4 | 1 | | |

Note

1:Components of shaft seal are not available individually. So/ replace a complete shaft seal assy with a new one.

2:In case valve seat should be replaced/ replace a complete valve seat assy with a new one.

— TOP —



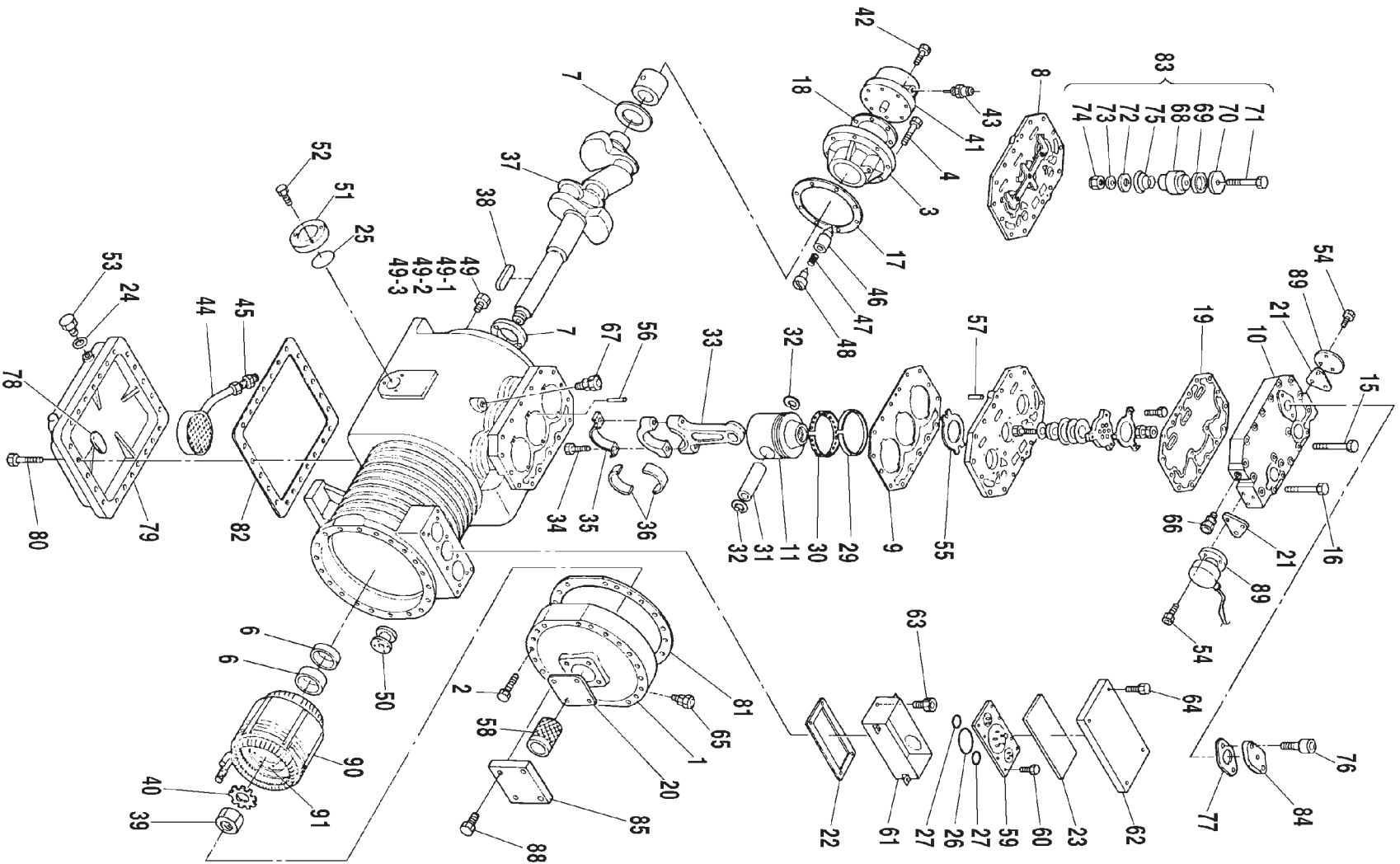
2C60L-F3 / 2C60S-F3

| No. | Index | Parts No. | Parts Name | Drwg. No. | Parts Model & Specification | Q'ty/Unit | | Wiring Symbol | Notes |
|-----|-------|-----------|----------------------------------|------------|-----------------------------|-----------|----------|---------------|-------|
| | | | | | | 2C60L-F3 | 2C60S-F3 | | |
| 1 | | 105120 | BOTTOM COVER | R31141 | | 1 | | | |
| 1 | | | BOTTOM COVER | R31180 | | | 1 | | |
| 2 | C | 0394039 | PACKING/ BOTTOM COVER | R31142-1 | 2C60L | 1 | | | |
| 2 | C | 0394046 | PACKING/ BOTTOM COVER | R31181-1 | 2C60S | | 1 | | |
| 3 | | 105116 | BEARING/ SHAFT SEAL SIDE | R21143 | | 1 | | | |
| 3 | | 105117 | BEARING/ SHAFT SEAL SIDE | R21182 | | | 1 | | |
| 4 | C | 0394527 | PACKING/ SHAFT SEAL SIDE BEARING | R41144-1 | 2C60L | 1 | | | |
| 4 | C | 0394596 | PACKING/ SHAFT SEAL SIDE BEARING | R41183-1 | 2C60S | | 1 | | |
| 5 | | 105101 | CYLINDER HEAD COVER | R31139 | | 1 | 1 | | |
| 6 | C | 0394022 | PACKING/ CYLINDER HEAD COVER | R31140-1 | 2C60L.S | 1 | 1 | | |
| 7 | | 0367239 | BEARING METAL/ SHAFT SEAL SIDE | R41145-1 | | 1 | | | |
| 8 | | 105403 | SIDE COVER/ OIL PUMP SIDE | R41147 | | 1 | 1 | | |
| 9 | C | 0394558 | PACKING/ SIDE COVER | R41148-1 | 2C60L.S | 1 | 1 | | |
| 10 | | 0367246 | BEARING METAL/ OIL PUMP SIDE | R41149-1 | | 1 | 1 | | |
| 11 | | 100115 | OIL CHARGE PLUG | NI41011-2 | PUG3/8 | 1 | 1 | | |
| 12 | C | 100110 | O-RING | R411751-1 | D14.5XD2.5 | 1 | 1 | | |
| 13 | | 105206 | PISTON | R312113 | | 2 | 4 | | |
| 14 | | 105207 | PISTON PIN | 3PC00174-6 | | 2 | 2 | | |
| 15 | | 105208 | RETAINING RING/ PISTON PIN | R412115 | | 4 | 4 | | |
| 16 | | | PISTON RING | R412116-1 | | 4 | 4 | | |
| 17 | | | OIL RING | R412117-1 | | 2 | 2 | | |
| 18 | | 105201 | CONNECTING ROD ASSY. | R312290 | | 2 | | | |
| 18 | | 105202 | CONNECTING ROD ASSY. | R312292 | | | 2 | | |
| 19 | | 105203 | REAMER BOLT/ CONNECTING ROD | R412294 | | 4 | 4 | | |
| 20 | | | PISTON PIN METAL | R412198-1 | | 2 | 2 | | |
| 21 | | 105204 | CRANK PIN METAL | R312164-1 | | 4 | 4 | | |
| 22 | | 105301 | CRANK SHAFT | R213123 | | 1 | | | |
| 22 | | 105302 | CRANK SHAFT | R213130 | | | 1 | | |
| 24 | | 105305 | HOLDER/ STEEL BALL | R413126 | | 1 | 1 | | |
| 25 | | 105306 | ADJUSTING PLATE | R413127 | | 2 | 2 | | |
| 27 | | 105406 | SIDE COVER/ SHAFT SEAL | R415365-1 | D104 X 17 | 1 | 1 | | |
| 29 | | 105405 | SHAFT SEAL ASSY. | R315414 | | 1 | 1 | | |
| 30 | C | 0139162 | PACKING/ SIDE COVER | R41505-2 | | 1 | 1 | | |
| 31 | | 105603 | VALVE SEAT | R316173 | | 1 | 1 | | |
| 32 | C | 0394053 | PACKING/ VALVE SEAT | R316174-1 | 2C60L.S | 1 | 1 | | |
| 33 | | 105604 | SAFETY SPRING | R416175 | | 2 | 2 | | |

2C60L-F3 / 2C60S-F3

| No. | Index | Parts No. | Parts Name | Drwg. No. | Parts Model & Specification | Q'ty/Unit | | Wiring Symbol | Notes |
|-----|-------|-----------|-------------------------------|--------------|------------------------------|-----------|----------|---------------|-------|
| | | | | | | 2C60L-F3 | 2C60S-F3 | | |
| 34 | | 105602 | DISCHARGE VALVE PLATE | R416176 | | 2 | 2 | | |
| 35 | | 105605 | DISCHARGE VALVE GLAND | R416177 | | 2 | 2 | | |
| 36 | | 105606 | SPRING/ DISCHARGE VALVE PLATE | R416178 | | 2 | 2 | | |
| 37 | | 105601 | SUCTION VALVE PLATE | R416179 | | 2 | 2 | | |
| 38 | | 105607 | KNOCK PIN/ SUCTION VALVE SIDE | R416180 | | 4 | 4 | | |
| 39 | C | 105501 | SUCTION FILTER | R426854 | | 1 | 1 | | |
| 41 | C | 0132293 | PACKING/ STOP VALVE | 4PC01279-2 | | | 1 | | |
| 41 | C | 0136358 | PACKING/ STOP VALVE | R4112049-2 | T1.0 ASBEST FREE JOINT SHEET | 1 | | | |
| 42 | C | 205123 | O-RING | TA31011-22 | M352 FOR PHI27 LEVEL GAUGE | 1 | 1 | | |
| 43 | | 105310 | KEY/ CRANK SHAFT | TI41013-3 | | 1 | 1 | | |
| 44 | | 0205526 | LOCK WASHER | 4SK07101-20N | M20 | 1 | 1 | | |
| 45 | | 0979050 | HEX. NUT | 4SK06001-20N | M20 5T | 1 | 1 | | |
| 46 | C | 205106 | SIGHT GLASS | ME42051-2 | D27 D60X T7.3 | 1 | 1 | | |
| 47 | | 105115 | SINGLE UNION JOINT COUPLING | R4112201 | | 2 | | | |
| 47 | | 105119 | SINGLE UNION JOINT COUPLING | R422902-2 | | | 2 | | |
| 48 | C | 0136358 | PACKING/ STOP VALVE | R4112049-2 | T1.0 ASBEST FREE JOINT SHEET | 1 | 1 | | |
| 49 | | 0225746 | FLANGE (2) | R4111918-1 | | 1 | | | |
| 49 | | 261129 | BLIND FLANGE | R4221143 | | | 1 | | |
| 50 | | 0225746 | FLANGE (2) | R4111918-1 | | 1 | 1 | | |
| 51 | | 139903 | HEX. BOLT/ OIL LEVEL GAUGE | 4SK01004-16N | M6X 16 | 3 | 3 | | |
| 52 | | | HEX. BOLT | 4SK01005-16N | | 18 | 18 | | |
| 53 | | | HEX. BOLT/ SIDE COVER | 4SK01005-20N | M8X 20 | 12 | 12 | | |
| 54 | | | HEX. BOLT/ SIDE COVER | 4SK01005-20N | M8X 20 | 8 | 8 | | |
| 55 | | 139906 | HEX. BOLT/ SUCTION FILTER | 4SK01006-20N | M10X 20 | | 2 | | |
| 55 | | | BOLT WITH HOLE | 4SK01204-22 | | 2 | | | |
| 55 | | | HEX. BOLT | SI41006-32N | | 2 | | | |
| 56 | | | HEX. BOLT/ SIDE COVER | 4SK01005-20N | M8X 20 | | 2 | | |
| 56 | | 139906 | HEX. BOLT/ SUCTION FILTER | 4SK01006-20N | M10X 20 | 2 | | | |
| 57 | | | HEX. BOLT | SI41005-56TN | | 15 | 15 | | |
| 58 | C | 100110 | O-RING | R411751-1 | D14.5XD2.5 | 2 | 2 | | |
| 59 | | 292011 | GAUGE JOINT WITH CHECK VALVE | 2PF00177-1 | VCG2DA NPTF1/8-27 D6.4CUT | 1 | 1 | | |
| 60 | | | HEX. BOLT | 4SK01006-25N | | 4 | 4 | | |

Note: Components of shaft seal are not available individually/ So/ replace a complete shaft seal assy with a new one.



3H64QLLR2

| No. | Index | Parts No. | Parts Name | Drwg. No. | Parts Model & Specification | Q'ty/Unit | Wiring Symbol | Notes |
|-----|-------|-----------|-------------------------------------|---------------|-----------------------------|-----------|---------------|-------|
| | | | | | | 3H64QLLR2 | | |
| 1 | | 1139134 | SIDE COVER/ CASING | 3PC03023-2 | | 1 | | |
| 2 | | 1270066 | SET BOLT | 4PC03008-45 | M8 X 45 X T10 | 20 | | |
| 3 | | 0983422 | BEARING/ OIL PUMP SIDE | 2PC03003-1 | | 1 | | |
| 4 | | 0323501 | SET BOLT/ SIDE COVER | 4SK01006-30TN | M10X 30 | 8 | | |
| 6 | | 0606150 | BEARING METAL/ MOTOR SIDE | 3PC02991-1 | | 2 | | |
| 7 | | 0631581 | THRUST METAL ASSY. | 4PC03006-1 | | 2 | | |
| 8 | | 0622253 | VALVE SEAT ASSY. | 2PC03010-1 | | 1 | | |
| 9 | C | 0622260 | PACKING/ VALVE SEAT | 3PC03016-1 | | 1 | | |
| 10 | | 0798794 | CYLINDER HEAD COVER | 4PC03018-1 | | 1 | | |
| 11 | | 0622284 | PISTON | 2PC02995-1 | | 3 | | |
| 15 | | 1086951 | SET BOLT | 4PC03008-75 | M8 X 75 X T10 | 7 | | |
| 16 | | 1270073 | SET BOLT | 4PC03008-70 | M8 X 70 X T10 | 11 | | |
| 17 | C | 0923893 | PACKING/ BEARING | 4PC03846-1 | | 1 | | |
| 18 | C | 0394426 | OIL PUMP GASKET | R4112586-1 | 2HC58LB | 1 | | |
| 19 | C | 0622277 | PACKING/ CYLINDER HEAD COVER | 3PC03021-1 | T0.8 | 1 | | |
| 20 | C | | SUCTION TUBE FLANGE GASKET | 4PC01292-1 | | 1 | | |
| 21 | C | 0393865 | GASKET/ SOLENOID VALVE | 4PC00780-1 | | 2 | | |
| 22 | C | 132826 | TERMINAL COVER PACKING | R4425066 | | 1 | | |
| 23 | C | 138812 | PACKING/ TERMINAL TOP COVER | R4425077-1 | T4 | 1 | | |
| 24 | C | 0606390 | O-RING/ OIL SERVICE PLUG | 4PC03167-3 | OD9.5 X ID2.5 | 1 | | |
| 25 | C | 0622323 | O-RING/ OIL LEVEL GAUGE | 4PC03167-1 | | 1 | | |
| 26 | C | 0606383 | O-RING/ TERMINAL PLATE | 4PC03167-2 | OD47.7 X ID3.5 | 1 | | |
| 27 | C | 0606408 | O-RING/ TERMINAL PLATE | 4PC03167-4 | OD37.8 X ID2.3 | 2 | | |
| 29 | | 138223 | COMPRESSION RING | R412707 | | 3 | | |
| 30 | | 138224 | OIL RING | R412708 | | 3 | | |
| 31 | | 0622291 | PISTON PIN | 4PC02994-1 | | 3 | | |
| 32 | | 121211 | RETAINER/ PISTON PIN | TI30012-14 | D27.9 X T1.2 | 6 | | |
| 33 | | 0622354 | CONNECTING ROD | 2PC02996-1 | | 3 | | |
| 34 | | 132220 | CONNECTING ROD TIGHTENING BOLT | R429284-4 | | 6 | | |
| 35 | | 1712089 | PLATE/ CONNECTING ROD CLAMPING BOLT | R412713-2 | | 3 | | |
| 36 | | 0622309 | CRANK PIN METAL | 3PC02998-1 | | 6 | | |
| 37 | | 0622361 | CRANK SHAFT ASSY. | 2PC02999-1 | | 1 | | |
| 38 | | 132311 | KEY/ ROTOR | R413632 | 7 X 7 X 80L | 1 | | |
| 39 | | 132313 | CRANK SHAFT END NUT | R413666 | | 1 | | |
| 40 | | 132312 | LOCK WASHER/ CRANKSHAFT | R413667 | | 1 | | |
| 41 | | 0605676 | OIL PUMP | 2PC03007-1 | TA-60A | 1 | | |

3H64QLLR2

| No. | Index | Parts No. | Parts Name | Drwg. No. | Parts Model & Specification | Q'ty/Unit | Wiring Symbol | Notes |
|------|-------|-----------|---|---------------|-----------------------------|-----------|---------------|-------|
| | | | | | | 3H64QLLR2 | | |
| 42 | | 1712096 | SET BOLT | 4PC00335-22TN | | 6 | | |
| 43 | | 292011 | GAUGE JOINT WITH CHECK VALVE | 2PF00177-1 | VCG2DA NPTF1/8-27 D6.4CUT | 1 | | |
| 44 | | 0622316 | OIL SUCTION FILTER ASSY | 4PC03025-1 | | 1 | | |
| 45 | | 252002 | HALF UNION JOINT | NI42021-5 | UFD-3C 3/8B NPTF3/8-18 | 1 | | |
| 46 | | 1305141 | OIL PRESSURE CONTROL VALVE | R414357 | | 1 | | |
| 47 | | 109514 | SPRING/ OIL PRESSURE CONTROL VALVE | R414299 | | 1 | | |
| 48 | | 1305142 | SPINDLE/ OIL PRESSURE CONTROL VALVE | R4141193 | | 1 | | |
| 49 | | | OIL CHECK VALVE ASSY. | G4141438 | | 1 | | |
| 49-1 | | | OIL CHECK VALVE BODY | R4141439 | | 1 | | |
| 49-2 | | | OIL CHECK VALVE PLATE VALVE | R4141440 | | 1 | | |
| 49-3 | | 0673042 | RETAINING RING (C TYPE) | TI30012-9 | | 1 | | |
| 50 | | 1270097 | EQUALIZING PLATE | R4141246-2 | | 1 | | |
| 51 | C | 205106 | OIL LEVEL GAUGE | ME42051-2 | D27 D60X T7.3 | 1 | | |
| 52 | | 0848303 | HEX. BOLT | 4SK01015-16 | SUS304 M6X 16SUS | 3 | | |
| 53 | | 100115 | OIL DRAIN PLUG | NI41011-2 | PUG3/8 | 1 | | |
| 54 | | 132962 | SET BOLT | 4PC00781-20 | SUS304 M8x20SUS304 | 6 | | |
| 55 | | 1270105 | SUCTION VALVE PLATE | 4PC04912-1 | | 3 | | |
| 56 | | 132651 | KNOCK PIN/ SUCTION VALVE PLATE | R429383-1 | D3X 8L | 6 | | |
| 57 | | 139624 | KNOCK PIN/ VALVE SEAT | 4PC00573-1 | D5X L28 | 2 | | |
| 58 | C | 132510 | SUCTION FILTER | R426953 | | 1 | | |
| 59 | | 0100816 | TERMINAL ASSY. | R3425047:1-1 | | 1 | | |
| 60 | | 0848303 | HEX. BOLT | 4SK01015-16 | SUS304 M6X 16SUS | 8 | | |
| 61 | | 138801 | TERMINAL COVER | R3425068-2 | | 1 | | |
| 62 | | 138802 | TERMINAL TOP COVER | R3425076-1 | | 1 | | |
| 63 | | 132938 | HEX. SOCKET BOLT/ LOCK PLATE | SI41202-12S | M6X 12 SUS304 | 4 | | |
| 64 | | 0978970 | SET BOLT/ TERMINAL TOP COVER | 4SK01015-20 | SUS304 M6 X 20SUS | 4 | | |
| 65 | | 292011 | GAUGE JOINT WITH CHECK VALVE | 2PF00177-1 | VCG2DA NPTF1/8-27 D6.4CUT | 1 | | |
| 66 | | 292011 | GAUGE JOINT WITH CHECK VALVE | 2PF00177-1 | VCG2DA NPTF1/8-27 D6.4CUT | 1 | | |
| 67 | | 292004A | GAUGE JOINT/ CHECK VALVE (OIL PRESSURE) | R3225010 | VCG2DA D6.4CUT NPTF1/8-27 | 1 | | |
| 68 | | 138701 | UNLOADED PISTON | 4PC00717-1 | | 2 | | |
| 69 | C | 109703 | PACKING/ UNLOADED PISTON | R318169-1 | | 2 | | |
| 70 | | 109702 | RETAINER/ UNLOADED PISTON | R418184-1 | | 2 | | |
| 71 | | 132961 | SET BOLT | 4SK01004-40TN | M6 X 40 X T10 | 2 | | |
| 72 | | 104702 | SEALING DISK | R418201 | | 2 | | |
| 73 | | 104706 | RETAINER | R418204-3 | OD16 X ID6.1 X T1.6 | 2 | | |
| 74 | | 104709 | STOPPER NUT/ UNLOADED PISTON | TU40031-1 | M6 | 2 | | |

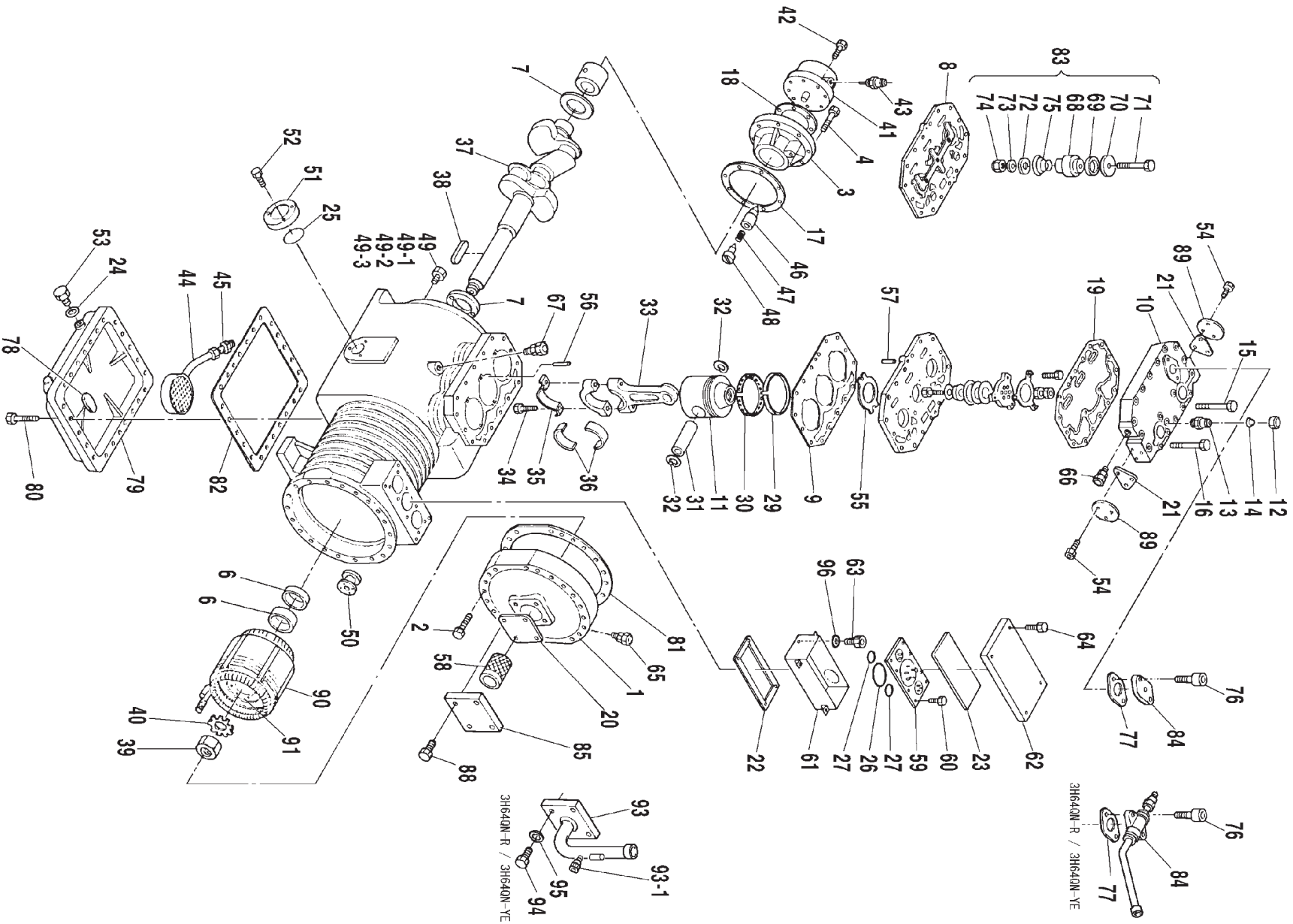
3H64QLLR2

| No. | Index | Parts No. | Parts Name | Drwg. No. | Parts Model & Specification | Q'ty/Unit | Wiring Symbol | Notes |
|-----|-------|-----------|---------------------------|---------------|-----------------------------|-----------|---------------|-------|
| | | | | | | 3H64QLLR2 | | |
| 75 | | 104704 | UNLOADED SPRING | R418202-1 | L=23 | 2 | | |
| 76 | | 1270112 | HEX. SOCKET HEAD CAP BOLT | 4PC00729-20 | | 2 | | |
| 77 | | 0923918 | PACKING/ DISCHARGE VALVE | 4PC03848-1 | | 1 | | |
| 78 | | 0029272 | MAGNET | 4PC00715-1 | D32 X T8 | 1 | | |
| 79 | | 138111 | FRAME BOTTOM COVER | R3113850-1 | | 1 | | |
| 80 | | 0323501 | SET BOLT/ SIDE COVER | 4SK01006-30TN | M10X 30 | 24 | | |
| 81 | C | 0394503 | FRAME SIDE COVER GASKET | R4113854-1 | 3H64QAR | 1 | | |
| 82 | C | 0394015 | FRAME BOTTOM COVER GASKET | R3113855-1 | 3H64QAR | 1 | | |
| 83 | | | UNLOADER ASSY. | 4PC03022-1 | | 2 | | |
| 84 | | 0225746 | FLANGE (2) | R4111918-1 | | 1 | | |
| 85 | | | SUCTION TUBE FLANGE | 3PC07087-1 | | 1 | | |
| 88 | | 139906 | HEX. BOLT/ SUCTION FILTER | 4SK01006-20N | M10X 20 | 4 | | |
| 89 | | 1053588 | FLANGE/ UNLOADED COVER | 4PC03483-1 | | 2 | | |
| 90 | | | MOTOR (STATOR) | 3PC02992-1-KA | | 1 | | |
| 91 | | | MOTOR (ROTOR) | 3PC02992-1-KI | | 1 | | |
| | | | | | | | | |
| | | | | | | | | |
| | | | | | | | | |
| | | | | | | | | |
| | | | | | | | | |
| | | | | | | | | |
| | | | | | | | | |
| | | | | | | | | |
| | | | | | | | | |
| | | | | | | | | |
| | | | | | | | | |
| | | | | | | | | |
| | | | | | | | | |
| | | | | | | | | |
| | | | | | | | | |
| | | | | | | | | |
| | | | | | | | | |
| | | | | | | | | |
| | | | | | | | | |
| | | | | | | | | |
| | | | | | | | | |
| | | | | | | | | |
| | | | | | | | | |
| | | | | | | | | |
| | | | | | | | | |
| | | | | | | | | |
| | | | | | | | | |
| | | | | | | | | |
| | | | | | | | | |
| | | | | | | | | |
| | | | | | | | | |

3H64QNL R@2 / 3H64QNL YE@2 / 3H64QN-R / 3H64QN-R@2 / 3H64QN- YE / 3H64QN- YE@2

3H64QNL R@2 / 3H64QNL YE@2 / 3H64QN-R / 3H64QN-R@2 / 3H64QN- YE / 3H64QN- YE@2

— TOP —



3H64QNL R@2 / 3H64QNL YE@2 / 3H64QN-R / 3H64QN-R@2 / 3H64QN- YE / 3H64QN- YE@2

| No. | Index | Parts No. | Parts Name | Drwg. No. | Parts Model & Specification | Q'ty/Unit | | | | | | Wiring Symbol | Notes |
|-----|-------|-----------|--------------------------------|---------------|-----------------------------|-----------|----------|----|----|----|----|---------------|-------|
| | | | | | | 3H | 3H | 3H | 3H | 3H | 3H | | |
| | | | | | | 64 | 64 | 64 | 64 | 64 | 64 | | |
| | | QNL R@2 | QNL YE@2 | QN-R | QN-R@2 | QN- YE | QN- YE@2 | | | | | | |
| 1 | | 1139134 | SIDE COVER/ CASING | 3PC03023-2 | | | | | | | | | |
| 2 | | 1270066 | SET BOLT | 4PC03008-45 | M8 X 45 X T10 | 20 | 20 | 20 | 20 | 20 | 20 | | |
| 3 | | 0983422 | BEARING/ OIL PUMP SIDE | 2PC03003-1 | | 1 | 1 | 1 | 1 | 1 | 1 | | |
| 4 | | 0323501 | SET BOLT/ SIDE COVER | 4SK01006-30TN | M10X 30 | 8 | 8 | 8 | 8 | 8 | 8 | | |
| 6 | | 0606150 | BEARING METAL/ MOTOR SIDE | 3PC02991-1 | | 2 | 2 | 2 | 2 | 2 | 2 | | |
| 7 | | 0631581 | THRUST METAL ASSY. | 4PC03006-1 | | 2 | 2 | 2 | 2 | 2 | 2 | | |
| 8 | | 0688657 | VALVE SEAT ASSY. | 2PC03757-1 | | | | 1 | 1 | 1 | 1 | | |
| 8 | | 1062614 | VALVE SEAT ASSY. | 2PC04737-2 | | 1 | 1 | | | | | | |
| 9 | C | 0622260 | PACKING/ VALVE SEAT | 3PC03016-1 | | 1 | 1 | | | | | | |
| 9 | C | 1059733 | PACKING/ VALVE SEAT | 3PC04740-1 | | | | 1 | 1 | 1 | 1 | | |
| 10 | | 1059757 | CYLINDER HEAD COVER | 4PC04741-1 | | 1 | 1 | | | | | | |
| 10 | | 1059764 | CYLINDER HEAD COVER | 4PC04759-1 | | | | 1 | 1 | 1 | 1 | | |
| 11 | | 1059740 | PISTON | 2PC04755-1 | | 3 | 3 | 3 | 3 | 3 | 3 | | |
| 12 | | 1198474 | FLARE NUT | 4SK23011-1 | FNS2 1/4B D6.4CUT | 1 | | | | | | | |
| 13 | | 252001A | UNION JOINT | NI42021-1 | UFD-2B 1/4B D6.4CUT | 1 | | | | | | | |
| 14 | | 0144373 | BLIND CAP/ FLARE NUT | NI43041-1 | FSB-1/4B D6.4CUT | 1 | | | | | | | |
| 15 | | 1086951 | SET BOLT | 4PC03008-75 | M8 X 75 X T10 | 16 | 16 | 16 | 16 | 16 | 16 | | |
| 16 | | 1270073 | SET BOLT | 4PC03008-70 | M8 X 70 X T10 | 2 | 2 | 2 | 2 | 2 | 2 | | |
| 17 | C | 0923893 | PACKING/ BEARING | 4PC03846-1 | | 1 | 1 | 1 | 1 | 1 | 1 | | |
| 18 | C | 0394426 | OIL PUMP GASKET | R4112586-1 | 2HC58LB | 1 | 1 | 1 | 1 | 1 | 1 | | |
| 19 | C | 0622277 | PACKING/ CYLINDER HEAD COVER | 3PC03021-1 | T0.8 | 1 | 1 | 1 | 1 | 1 | 1 | | |
| 20 | C | | SUCTION TUBE FLANGE GASKET | 4PC01292-1 | | 1 | 1 | | 1 | | 1 | | |
| 21 | C | 0393865 | GASKET/ SOLENOID VALVE | 4PC00780-1 | | 2 | 2 | | | | | | |
| 22 | C | 0979454 | TERMINAL COVER PACKING | 4PC04476-1 | | | 1 | | | 1 | 1 | | |
| 22 | C | 132826 | TERMINAL COVER PACKING | R4425066 | | 1 | | 1 | 1 | | | | |
| 23 | C | 138812 | PACKING/ TERMINAL TOP COVER | R4425077-1 | T4 | 1 | | 1 | 1 | | | | |
| 24 | C | 0606390 | O-RING/ OIL SERVICE PLUG | 4PC03167-3 | OD9.5 X ID2.5 | 1 | 1 | 1 | 1 | 1 | 1 | | |
| 25 | C | 0622323 | O-RING/ OIL LEVEL GAUGE | 4PC03167-1 | | 1 | 1 | 1 | 1 | 1 | 1 | | |
| 26 | C | 0606383 | O-RING/ TERMINAL PLATE | 4PC03167-2 | OD47.7 X ID3.5 | 1 | 1 | 1 | 1 | 1 | 1 | | |
| 27 | C | 0606408 | O-RING/ TERMINAL PLATE | 4PC03167-4 | OD37.8 X ID2.3 | 2 | | 2 | 2 | | | | |
| 29 | | 138223 | COMPRESSION RING | R412707 | | 3 | 3 | 3 | 3 | 3 | 3 | | |
| 30 | | 138224 | OIL RING | R412708 | | 3 | 3 | 3 | 3 | 3 | 3 | | |
| 31 | | 0622291 | PISTON PIN | 4PC02994-1 | | 3 | 3 | 3 | 3 | 3 | 3 | | |
| 32 | | 121211 | RETAINER/ PISTON PIN | TI30012-14 | D27.9 X T1.2 | 6 | 6 | 6 | 6 | 6 | 6 | | |
| 33 | | 0622354 | CONNECTING ROD | 2PC02996-1 | | 3 | 3 | 3 | 3 | 3 | 3 | | |
| 34 | | 132220 | CONNECTING ROD TIGHTENING BOLT | R429284-4 | | 6 | 6 | 6 | 6 | 6 | 6 | | |

3H64QNL R@2 / 3H64QNL YE@2 / 3H64QN-R / 3H64QN-R@2 / 3H64QN- YE / 3H64QN- YE@2

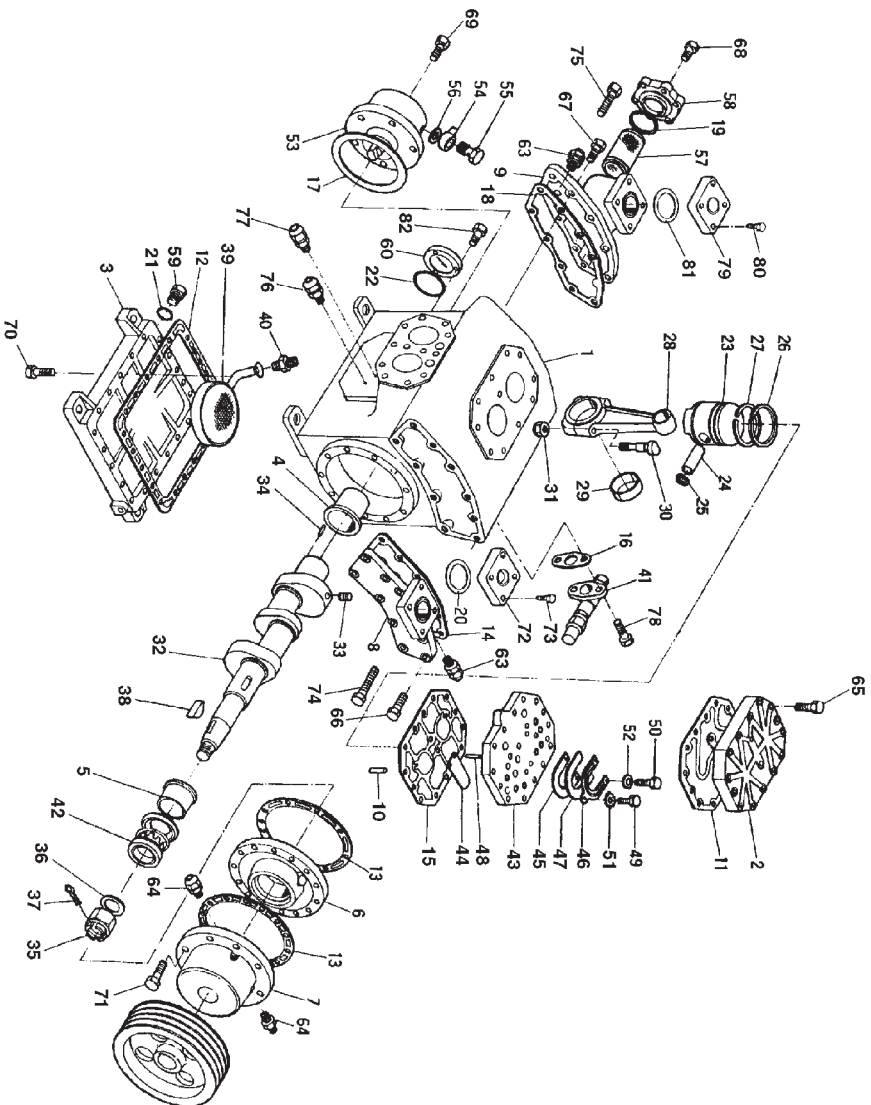
| No. | Index | Parts No. | Parts Name | Drwg. No. | Parts Model & Specification | Q'ty/Unit | | | | | | Wiring Symbol | Notes |
|------|-------|-----------|-------------------------------------|---------------|-----------------------------|-----------|----------|----|----|----|----|---------------|-------|
| | | | | | | 3H | 3H | 3H | 3H | 3H | 3H | | |
| | | | | | | 64 | 64 | 64 | 64 | 64 | 64 | | |
| | | QNL R@2 | QNL YE@2 | QN-R | QN-R@2 | QN- YE | QN- YE@2 | | | | | | |
| 35 | | 1712089 | PLATE/ CONNECTING ROD CLAMPING BOLT | R412713-2 | | 3 | 3 | 3 | 3 | 3 | 3 | | |
| 36 | | 0622309 | CRANK PIN METAL | 3PC02998-1 | | 6 | 6 | 6 | 6 | 6 | 6 | | |
| 37 | | 0622361 | CRANK SHAFT ASSY. | 2PC02999-1 | | 1 | 1 | 1 | 1 | 1 | 1 | | |
| 38 | | 132311 | KEY/ ROTOR | R413632 | 7 X 7 X 80L | 1 | 1 | 1 | 1 | 1 | 1 | | |
| 39 | | 132313 | CRANK SHAFT END NUT | R413666 | | 1 | 1 | 1 | 1 | 1 | 1 | | |
| 40 | | 132312 | LOCK WASHER/ CRANKSHAFT | R413667 | | 1 | 1 | 1 | 1 | 1 | 1 | | |
| 41 | | 0605676 | OIL PUMP | 2PC03007-1 | TA-60A | 1 | 1 | 1 | 1 | 1 | 1 | | |
| 42 | | 1712096 | SET BOLT | 4PC00335-22TN | | 6 | 6 | 6 | 6 | 6 | 6 | | |
| 43 | | 292011 | GAUGE JOINT WITH CHECK VALVE | 2PF00177-1 | VCG2DA NPTF1/8-27 D6.4CUT | | | 1 | | 1 | | | |
| 43 | | 1522192 | OIL INJECTION PIPE JOINT | 4PC04747-1 | | 1 | | | 1 | | 1 | | |
| 44 | | 0622316 | OIL SUCTION FILTER ASSY | 4PC03025-1 | | 1 | 1 | 1 | 1 | 1 | 1 | | |
| 45 | | 252002 | HALF UNION JOINT | NI42021-5 | UFD-3C 3/8B NPTF3/8-18 | 1 | 1 | 1 | 1 | 1 | 1 | | |
| 46 | | 1305141 | OIL PRESSURE CONTROL VALVE | R414357 | | 1 | 1 | 1 | 1 | 1 | 1 | | |
| 47 | | 109514 | SPRING/ OIL PRESSURE CONTROL VALVE | R414299 | | 1 | 1 | 1 | 1 | 1 | 1 | | |
| 48 | | 1305142 | SPINDLE/ OIL PRESSURE CONTROL VALVE | R4141193 | | 1 | 1 | 1 | 1 | 1 | 1 | | |
| 49 | | | OIL CHECK VALVE ASSY. | G4141438 | | 1 | 1 | 1 | 1 | 1 | 1 | | |
| 49-1 | | | OIL CHECK VALVE BODY | R4141439 | | 1 | 1 | 1 | 1 | 1 | 1 | | |
| 49-2 | | | OIL CHECK VALVE PLATE VALVE | R4141440 | | 1 | 1 | 1 | 1 | 1 | 1 | | |
| 49-3 | | 0673042 | RETAINING RING (C TYPE) | TI30012-9 | | 1 | 1 | 1 | 1 | 1 | 1 | | |
| 50 | | 1270097 | EQUALIZING PLATE | R4141246-2 | | 1 | 1 | 1 | 1 | 1 | 1 | | |
| 51 | C | 205106 | SIGHT GLASS | ME42051-2 | D27 D60X T7.3 | 1 | 1 | 1 | 1 | 1 | 1 | | |
| 52 | | 0848303 | HEX. BOLT | 4SK01015-16 | SUS304 M6 X 16SUS | 3 | 3 | 3 | 3 | 3 | 3 | | |
| 53 | | 100115 | OIL DRAIN PLUG | NI41011-2 | PUG3/8 | 1 | 1 | 1 | 1 | 1 | 1 | | |
| 54 | | 132962 | SET BOLT | 4PC00781-20 | SUS304 M8 X 20SUS304 | 6 | 6 | | | | | | |
| 55 | | 1270105 | SUCTION VALVE PLATE | 4PC04912-1 | | 3 | 3 | 3 | 3 | 3 | 3 | | |
| 56 | | 132651 | KNOCK PIN/ SUCTION VALVE PLATE | R429383-1 | D3X 8L | 6 | 6 | 6 | 6 | 6 | 6 | | |
| 57 | | 139624 | KNOCK PIN/ VALVE SEAT | 4PC00573-1 | D5X L28 | 2 | 2 | 2 | 2 | 2 | 2 | | |
| 58 | C | 132510 | SUCTION FILTER | R426953 | | 1 | 1 | 1 | 1 | 1 | 1 | | |
| 59 | | 1201851 | TERMINAL ASSY. | 4PC04479-1 | | | 1 | | | 1 | 1 | | |
| 59 | | 0100816 | TERMINAL ASSY. | R3425047:1-1 | | 1 | | 1 | 1 | | | | |
| 60 | | 0848303 | HEX. BOLT | 4SK01015-16 | SUS304 M6 X 16SUS | 8 | | 8 | 8 | | | | |
| 61 | | 0979461 | TERMINAL COVER | 3PC04489-1 | | | 1 | | | 1 | 1 | | |
| 61 | | 138801 | TERMINAL COVER | R3425068-2 | | 1 | | 1 | 1 | | | | |
| 62 | | 138802 | TERMINAL TOP COVER | R3425076-1 | | 1 | | 1 | 1 | | | | |
| 63 | | 0848303 | HEX. BOLT | 4SK01015-16 | SUS304 M6 X 16SUS | | 4 | | | 4 | 4 | | |
| 63 | | 132938 | HEX. SOCKET BOLT/ LOCK PLATE | SI41202-12S | M6X 12 SUS304 | 4 | | 4 | 4 | | | | |

3H64QNL R@2 / 3H64QNL YE@2 / 3H64QN-R / 3H64QN-R@2 / 3H64QN- YE / 3H64QN- YE@2

| No. | Index | Parts No. | Parts Name | Drwg. No. | Parts Model & Specification | Q'ty/Unit | | | | | | Wiring Symbol | Notes |
|------|-------|-----------|------------------------------|---------------|-----------------------------|-----------|----------|----------|----------|----------|----------|---------------|-------|
| | | | | | | 3H 64 | 3H 64 | 3H 64 | 3H 64 | 3H 64 | 3H 64 | | |
| | | | | | | QNL R@2 | QNL YE@2 | QN-R | QN-R@2 | QN- YE | QN- YE@2 | | |
| 64 | | 0848303 | HEX. BOLT | 4SK01015-16 | SUS304 M6 X 16SUS | 4 | 4 | 4 | 4 | 4 | 4 | | |
| 65 | | 292011 | GAUGE JOINT WITH CHECK VALVE | 2PF00177-1 | VCG2DA NPTF1/8-27 D6.4CUT | 1 | 1 | 1 | 1 | 1 | 1 | | |
| 66 | | 292011 | GAUGE JOINT WITH CHECK VALVE | 2PF00177-1 | VCG2DA NPTF1/8-27 D6.4CUT | 1 | 1 | 1 | 1 | 1 | 1 | | |
| 67 | | 292011 | GAUGE JOINT WITH CHECK VALVE | 2PF00177-1 | VCG2DA NPTF1/8-27 D6.4CUT | 1 | 1 | 1 | 1 | 1 | 1 | | |
| 68 | | 138701 | UNLOADED PISTON | 4PC00717-1 | | 2 | | | | | | | |
| 69 | C | 109703 | PACKING/ UNLOADED PISTON | R318169-1 | | 2 | | | | | | | |
| 70 | | 109702 | RETAINER/ UNLOADED PISTON | R418184-1 | | 2 | | | | | | | |
| 71 | | 132961 | SET BOLT | 4SK01004-40TN | M6 X 40 X T10 | 2 | | | | | | | |
| 72 | | 104702 | SEALING DISK | R418201 | | 2 | | | | | | | |
| 73 | | 104706 | RETAINER | R418204-3 | OD16 X ID6.1 X T1.6 | 2 | | | | | | | |
| 74 | | 104709 | STOPPER NUT/ UNLOADED PISTON | TU40031-1 | M6 | 2 | | | | | | | |
| 75 | | 104704 | UNLOADED SPRING | R418202-1 | L=23 | 2 | | | | | | | |
| 76 | | 1270112 | HEX. SOCKET HEAD CAP BOLT | 4PC00729-20 | | 2 | 2 | | 2 | | 2 | | |
| 76 | | 1712111 | BOLT WITH HOLE | 4PC00729-25 | | | 2 | 2 | | 2 | | | |
| 77 | | 0923918 | PACKING/ DISCHARGE VALVE | 4PC03848-1 | | 1 | 1 | 1 | 1 | 1 | 1 | | |
| 78 | | 0029272 | MAGNET | 4PC00715-1 | D32 X T8 | 1 | | | | | | | |
| 78 | | 1270150 | MAGNET | W411533-1 | CC01 | | 3 | 3 | 3 | 3 | 3 | | |
| 79 | | 1270080 | FRAME BOTTOM COVER | 3PC04472-1 | | | 1 | 1 | 1 | 1 | 1 | | |
| 79 | | 138111 | FRAME BOTTOM COVER | R3113850-1 | | 1 | | | | | | | |
| 80 | | 0323501 | SET BOLT/ SIDE COVER | 4SK01006-30TN | M10X 30 | 24 | 24 | 24 | 24 | 24 | 24 | | |
| 81 | C | 0394503 | FRAME SIDE COVER GASKET | R4113854-1 | 3H64QAR | 1 | 1 | 1 | 1 | 1 | 1 | | |
| 82 | C | 0394015 | FRAME BOTTOM COVER GASKET | R3113855-1 | 3H64QAR | 1 | 1 | 1 | 1 | 1 | 1 | | |
| 83 | | | UNLOADER ASSY. | 4PC03022-1 | | 2 | | | | | | | |
| 84 | | 1192863 | STOP VALVE/ DISCHARGE SIDE | 2SC00015-2 | | | | 1 | | 1 | | | |
| 84 | | 0225746 | FLANGE (2) | R4111918-1 | | 1 | 1 | | 1 | | 1 | | |
| 85 | | | SUCTION TUBE FLANGE | 3PC07087-1 | | 1 | 1 | | 1 | | 1 | | |
| 88 | | 0950972 | HEX. BOLT | 4SK01006-20 | M10X 20 | | 4 | | | | | | |
| 88 | | 139906 | HEX. BOLT/ SUCTION FILTER | 4SK01006-20N | M10X 20 | 4 | | | 4 | | 4 | | |
| 89 | | 1053588 | FLANGE/ UNLOADED COVER | 4PC03483-1 | | 2 | 2 | | | | | | |
| 90 | | | MOTOR (STATOR) | 3PC02992-1-KA | | 1 | | 1 | 1 | | | | |
| 91 | | | MOTOR (ROTOR) | 3PC02992-1-KI | | 1 | | 1 | 1 | | | | |
| 93 | | 1393349 | SUCTION PIPING ASSY. | 3P052590-1 | | | | 1 | | 1 | | | |
| 93-1 | | 1637498 | BODY/ CHARGE VALVE | 3P048907-1-KA | | | | 1 | | 1 | | | |
| 94 | | 1130764 | HEX. BOLT | 4SK01017-40 | M10 X 40SUS | | | 4 | | 4 | | | |
| 95 | | 844021 | WASHER | 4SK07005-10 | M10 SUS304 | | | 4 | | 4 | | | |
| 96 | | 844015S | PLAIN WASHER | 4SK07005-6 | M6 SUS | | 4 | | | 4 | 4 | | |

6C58A3

6C58A3



— TOP —

6C58A3

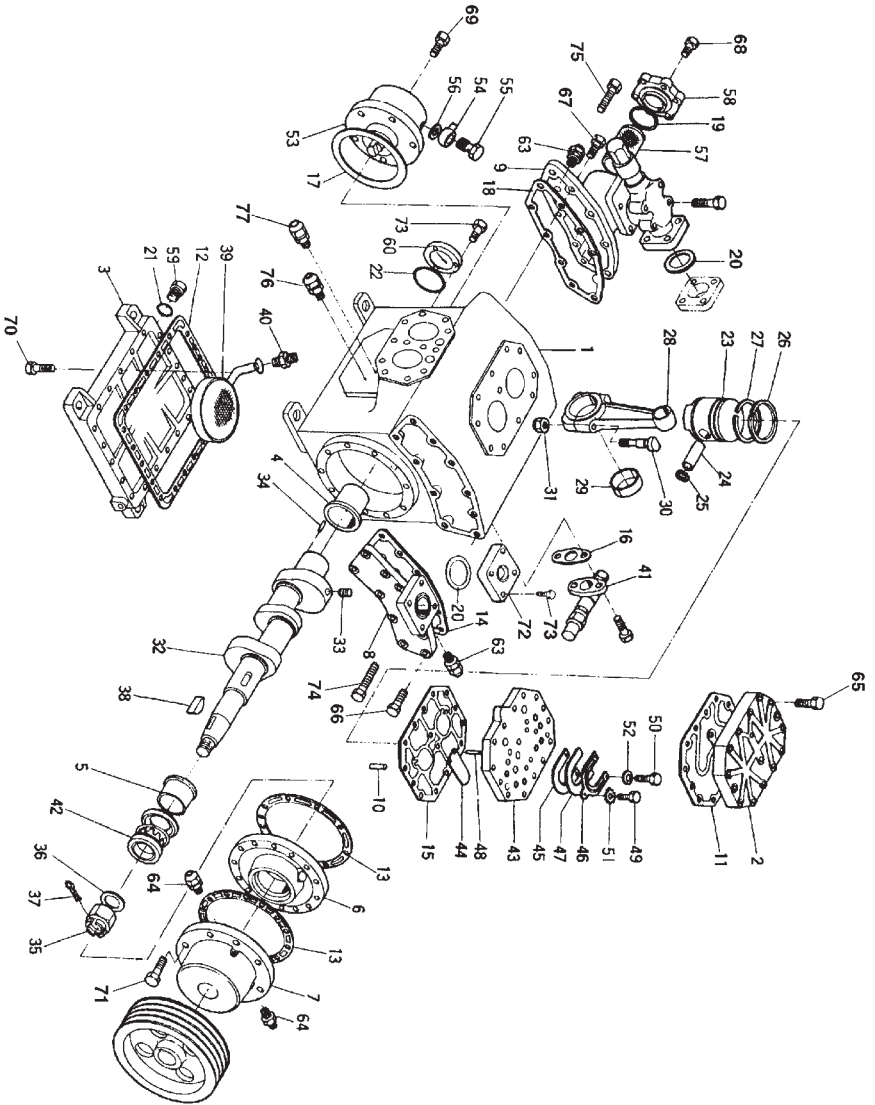
| No. | Index | Parts No. | Parts Name | Drwg. No. | Parts Model & Specification | Q'ty/Unit | Wiring Symbol | Notes |
|-----|-------|-----------|--------------------------------|---------------|-----------------------------|-----------|---------------|-------|
| | | | | | | 6C58A3 | | |
| 1 | | | FRAME | R4113078-1 | | 1 | | |
| 2 | | 104135 | CYLINDER HEAD COVER (A) | R2112950 | | 2 | | |
| 2 | | 104136 | CYLINDER HEAD COVER (B) | R2112951 | | 1 | | |
| 3 | | | FRAME BOTTOM COVER | R2111819 | | 1 | | |
| 4 | | 0367190 | PUMP SIDE JOURNAL HOLDER | R3112938-1 | | 1 | | |
| 5 | | | JOURNAL HOLDER | R3112937-1-KA | | 1 | | |
| 6 | | 0476342 | JOURNAL BEARING | R3111820 | | 1 | | |
| 7 | | 104405 | SIDE COVER | R3111821 | | 1 | | |
| 8 | | 0576956 | DISCHARGE PIPE FITTING | R2111822-1 | 8C58A | 1 | | |
| 9 | | 104516 | SUCTION FILTER CASE | R226916-2 | | 1 | | |
| 10 | | 132107 | KNOCK PIN/ VALVE SEAT | 4PC00021-1 | D5X L24 | 6 | | |
| 11 | C | 0393980 | GASKET/ CYLINDER HEAD COVER | R3112952-1 | C58A | 2 | | |
| 11 | C | 0393980 | GASKET/ CYLINDER HEAD COVER | R3112952-1 | C58A | 1 | | |
| 12 | C | 0394279 | FRAME BOTTOM COVER GASKET | R4111824-1 | C58B | 1 | | |
| 13 | C | 0394286 | SIDE COVER GASKET | R4111825-1 | C58B/C | 2 | | |
| 14 | C | 0393942 | PACKING | R3111826-1 | C58B/C | 1 | | |
| 15 | C | 0393896 | PACKING | R2111823-2 | 4.6.8C58B | 3 | | |
| 16 | C | 0394387 | ADJUSTMENT VALVE BODY GASKET | R4112583-1 | C48B | 1 | | |
| 17 | C | 0394541 | GASKET | R411470-1 | C48B.MC50 | 1 | | |
| 18 | C | 0393959 | PACKING | R3111826-2 | C58B/C | 1 | | |
| 19 | C | 0132060 | PACKING | 3PC01269-7 | | 1 | | |
| 20 | C | 0132217 | PACKING/ DISCHARGE SIDE FLANGE | 4SK20053-6 | D42 X D30 X T0.8 | 1 | | |
| 21 | C | 100110 | O-RING | R411751-1 | D14.5X D2.5 | 1 | | |
| 22 | C | 205123 | O-RING | TA31011-22 | M352/PHI27 LEVEL GAUGE | 1 | | |
| 23 | | 132203 | PISTON (A) | R312420-1 | | 3 | | |
| 23 | | 132204 | PISTON (B) | R312420-2 | | 3 | | |
| 24 | | 104205 | PISTON PIN | 3PC00174-7 | D23X 47L | 3 | | |
| 24 | | 104205 | PISTON PIN | 3PC00174-7 | D23X 47L | 3 | | |
| 25 | | 104206 | RETAINING RING/ PISTON PIN | R412221-1 | | 6 | | |
| 25 | | 104206 | RETAINING RING/ PISTON PIN | R412221-1 | | 6 | | |
| 26 | | 104207 | PRESSURE RING | R412365-1 | T2.0 | 3 | | |
| 26 | | 104207 | PRESSURE RING | R412365-1 | T2.0 | 3 | | |
| 27 | | 104208 | OIL RING | R412364-1 | T3.5 | 3 | | |
| 27 | | 104208 | OIL RING | R412364-1 | T3.5 | 3 | | |
| 28 | | 104211A | CONNECTING ROD | R312507 | | 3 | | |
| 28 | | 104211A | CONNECTING ROD | R312507 | | 3 | | |

6C58A3

| No. | Index | Parts No. | Parts Name | Drwg. No. | Parts Model & Specification | Q'ty/Unit | Wiring Symbol | Notes |
|-----|-------|-----------|--------------------------------|--------------|-----------------------------|-----------|---------------|-------|
| | | | | | | 6C58A3 | | |
| 29 | | 104212 | CRANK PIN METAL | R312423-1-KA | | 6 | | |
| 29 | | 104212 | CRANK PIN METAL | R312423-1-KA | | 6 | | |
| 30 | | 102211A | REAMER BOLT | R4296002 | | 6 | | |
| 30 | | 102211A | REAMER BOLT | R4296002 | | 6 | | |
| 31 | | 102212A | LOCK NUT/ CONNECTING ROD | R429774-8 | | 6 | | |
| 31 | | 102212A | LOCK NUT/ CONNECTING ROD | R429774-8 | | 6 | | |
| 32 | | 104309 | CRANK SHAFT | R213815-2 | | 1 | | |
| 33 | | | FILLER PLUG/ CRANK SHAFT | R41367-1 | | 3 | | |
| 34 | | 109353 | SCREW STOPPER/ CRANK SHAFT | R41367-6 | | 1 | | |
| 35 | | 102313 | NUT/ CRANK SHAFT | R41366 | | 1 | | |
| 36 | | 102312 | WASHER/ CRANK SHAFT | R413186 | | 1 | | |
| 37 | | 124612D | SPLIT PIN | SI49005-40 | | 1 | | |
| 38 | | 102309 | KEY/ CRANK SHAFT | R413515 | | 1 | | |
| 39 | C | 104507 | OIL FILTER | R314680 | | 1 | | |
| 40 | | 252002 | HALF UNION JOINT | NI42021-5 | UFD-3C 3/8B NPTF3/8-18 | 1 | | |
| 41 | | | ADJUSTMENT VALVE | R414625-1 | | 1 | | |
| 42 | | 104404 | SHAFT SEAL ASSY. | R315417-2 | | 1 | | |
| 43 | | 0367138 | VALVE SEAT | R216877 | | 3 | | |
| 44 | | 132611 | SUCTION VALVE | R416582 | | 6 | | |
| 45 | A | 132612 | DISCHARGE VALVE PLATE | R416585 | T0.381 | 6 | | |
| 46 | | 0227502 | GUIDE/ DISCH. VALVE PLATE | R416911 | C58A T2.3 61X 68 | 6 | | |
| 47 | | 104625 | SPRING/ DISCH. VALVE PLATE | R416866 | T0.508 | 6 | | |
| 48 | | 132651 | KNOCK PIN/ SUCTION VALVE PLATE | R429383-1 | D3X 8L | 12 | | |
| 49 | | 132653 | SET BOLT/ DISCHARGE VALVE | R4296001 | M5X 11.5 | 6 | | |
| 50 | | 132652 | SET BOLT/ DISCHARGE VALVE | R429779 | M4X 11.5 | 12 | | |
| 51 | | 0418283 | SPRING WASHER | 4SK07101-5N | | 6 | | |
| 52 | | | SPRING WASHER | 4SK07101-4N | | 12 | | |
| 53 | | 102503 | OIL PUMP | R214817 | TC60 | 1 | | |
| 55 | | 102528A | BOLT | R322206-1-KA | | 1 | | |
| 56 | C | 102527 | GASKET | R322206-3 | | 1 | | |
| 57 | C | 104510 | FILTER | R426857 | | 1 | | |
| 58 | | 121504 | SUCTION FILTER COVER | R426412 | | 1 | | |
| 59 | | 100115 | OIL DRAIN PLUG | NI41011-2 | PUG3/8 | 1 | | |
| 60 | C | 205106 | SIGHT GLASS | ME42051-2 | D27 D60X T7.3 | 1 | | |
| 63 | | 292011 | GAUGE JOINT WITH CHECK VALVE | 2PF00177-1 | VCG2DA NPTF1/8-27 D6.4CUT | 2 | | |
| 63 | | 252001A | UNION JOINT | NI42021-1 | UFD-2B 1/4B D6.4CUT | 1 | | |

8C582A3

8C582A3



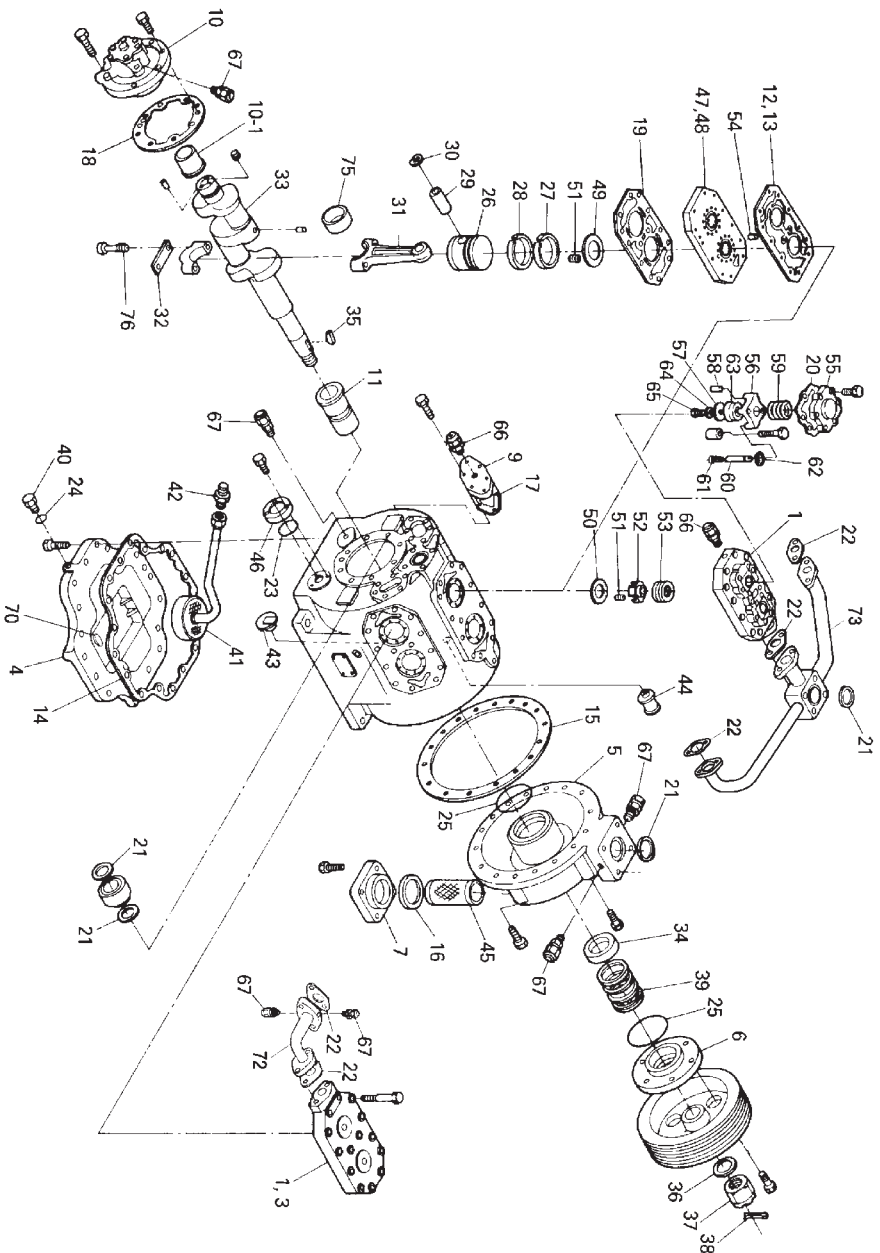
— TOP —

8C582A3

| No. | Index | Parts No. | Parts Name | Drwg. No. | Parts Model & Specification | Q'ty/Unit | Wiring Symbol | Notes |
|-----|-------|-----------|------------------------------|---------------|-----------------------------|-----------|---------------|-------|
| | | | | | | 8C582A3 | | |
| 1 | | | FRAME | R4113079-1 | | 1 | | |
| 2 | | 104135 | CYLINDER HEAD COVER (A) | R2112950 | | 3 | | |
| 2 | | 104136 | CYLINDER HEAD COVER (B) | R2112951 | | 1 | | |
| 3 | | | FRAME BOTTOM COVER | R2111819 | | 1 | | |
| 4 | | 0367190 | PUMP SIDE JOURNAL HOLDER | R3112938-1 | | 1 | | |
| 5 | | | JOURNAL HOLDER | R3112937-1-KA | | 1 | | |
| 6 | | 0476342 | JOURNAL BEARING | R3111820 | | 1 | | |
| 7 | | 104405 | SIDE COVER | R3111821 | | 1 | | |
| 8 | | | DISCHARGE PIPE FITTING | R2111822-2 | | 1 | | |
| 9 | | 104516 | SUCTION FILTER CASE | R226916-2 | | 1 | | |
| 10 | | 132107 | KNOCK PIN/ VALVE SEAT | 4PC00021-1 | D5X L24 | 8 | | |
| 11 | C | 0393980 | GASKET/ CYLINDER HEAD COVER | R3112952-1 | C58A | 3 | | |
| 11 | C | 0393980 | GASKET/ CYLINDER HEAD COVER | R3112952-1 | C58A | 1 | | |
| 12 | C | 0394279 | FRAME BOTTOM COVER GASKET | R4111824-1 | C58B | 1 | | |
| 13 | C | 0394286 | SIDE COVER GASKET | R4111825-1 | C58B/C | 2 | | |
| 14 | C | 0393942 | PACKING | R3111826-1 | C58B/C | 1 | | |
| 15 | C | 0393896 | PACKING | R2111823-2 | 4.6.8C58B | 4 | | |
| 16 | C | 0394387 | ADJUSTMENT VALVE BODY GASKET | R4112583-1 | C48B | 1 | | |
| 17 | C | 0394541 | GASKET | R411470-1 | C48B.MC50 | 1 | | |
| 18 | C | 0393959 | PACKING | R3111826-2 | C58B/C | 1 | | |
| 19 | C | 0132060 | PACKING | 3PC01269-7 | | 1 | | |
| 20 | C | 0132325 | PACKING/ CONNECTING FLANGE | 4SK20013-2 | OD54X ID40X T0.8 V25 | 1 | | |
| 20 | C | 0132224 | PACKING/ CONNECTING FLANGE | 4SK20053-7 | OD48X ID36X T0.8 | 1 | | |
| 21 | C | 100110 | O-RING | R411751-1 | D14.5X D2.5 | 1 | | |
| 22 | C | 205123 | O-RING | TA31011-22 | M352/PHI27 LEVEL GAUGE | 1 | | |
| 23 | | 132203 | PISTON (A) | R312420-1 | | 4 | | |
| 23 | | 132204 | PISTON (B) | R312420-2 | | 4 | | |
| 24 | | 104205 | PISTON PIN | 3PC00174-7 | | 4 | | |
| 24 | | 104205 | PISTON PIN | 3PC00174-7 | | 4 | | |
| 25 | | 104206 | RETAINING RING/ PISTON PIN | R412221-1 | | 8 | | |
| 25 | | 104206 | RETAINING RING/ PISTON PIN | R412221-1 | | 8 | | |
| 26 | | 104207 | PRESSURE RING | R412365-1 | T2.0 | 4 | | |
| 26 | | 104207 | PRESSURE RING | R412365-1 | T2.0 | 4 | | |
| 27 | | 104208 | OIL RING | R412364-1 | T3.5 | 4 | | |
| 27 | | 104208 | OIL RING | R412364-1 | T3.5 | 4 | | |
| 28 | | 104211A | CONNECTING ROD | R312507 | | 4 | | |

8C582A3

| No. | Index | Parts No. | Parts Name | Drwg. No. | Parts Model & Specification | Q'ty/Unit | Wiring Symbol | Notes |
|-----|-------|-----------|--------------------------------|--------------|-----------------------------|-----------|---------------|-------|
| | | | | | | 8C582A3 | | |
| 28 | | 104211A | CONNECTING ROD | R312507 | | 4 | | |
| 29 | | 104212 | CRANK PIN METAL | R312423-1-KA | | 8 | | |
| 29 | | 104212 | CRANK PIN METAL | R312423-1-KA | | 8 | | |
| 30 | | 102211A | REAMER BOLT | R4296002 | | 8 | | |
| 30 | | 102211A | REAMER BOLT | R4296002 | | 8 | | |
| 31 | | 102212A | LOCK NUT/ CONNECTING ROD | R429774-8 | | 8 | | |
| 31 | | 102212A | LOCK NUT/ CONNECTING ROD | R429774-8 | | 8 | | |
| 32 | | 104315 | CRANK SHAFT | R213815-3 | | 1 | | |
| 33 | | | FILLER PLUG/ CRANK SHAFT | R41367-1 | | 3 | | |
| 34 | | 109353 | SCREW STOPPER/ CRANK SHAFT | R41367-6 | | 1 | | |
| 35 | | 102313 | NUT/ CRANK SHAFT | R41366 | | 1 | | |
| 36 | | 102312 | WASHER/ CRANK SHAFT | R413186 | | 1 | | |
| 37 | | 124612D | SPLIT PIN | SI49005-40 | | 1 | | |
| 38 | | 102309 | KEY/ CRANK SHAFT | R413515 | | 1 | | |
| 39 | C | 104507 | OIL FILTER | R314680 | | 1 | | |
| 40 | | 252002 | HALF UNION JOINT | NI42021-5 | UFD-3C 3/8B NPTF3/8-18 | 1 | | |
| 41 | | | ADJUSTMENT VALVE | R414625-1 | | 1 | | |
| 42 | | 104404 | SHAFT SEAL ASSY. | R315417-2 | | 1 | | |
| 43 | | 0367138 | VALVE SEAT | R216877 | | 4 | | |
| 44 | | 132611 | SUCTION VALVE | R416582 | | 8 | | |
| 45 | A | 132612 | DISCHARGE VALVE PLATE | R416585 | T0.381 | 8 | | |
| 46 | | 0227502 | GUIDE/ DISCH. VALVE PLATE | R416911 | C58A T2.3 61X 68 | 8 | | |
| 47 | | 104625 | SPRING/ DISCH. VALVE PLATE | R416866 | T0.508 | 8 | | |
| 48 | | 132651 | KNOCK PIN/ SUCTION VALVE PLATE | R429383-1 | D3X 8L | 16 | | |
| 49 | | 132653 | SET BOLT/ DISCHARGE VALVE | R4296001 | M5X 11.5 | 8 | | |
| 50 | | 132652 | SET BOLT/ DISCHARGE VALVE | R429779 | M4X 11.5 | 16 | | |
| 51 | | 0418283 | SPRING WASHER | 4SK07101-5N | | 8 | | |
| 52 | | | SPRING WASHER | 4SK07101-4N | | 16 | | |
| 53 | | 102503 | OIL PUMP | R214817 | TC60 | 1 | | |
| 55 | | 102528A | BOLT | R322206-1-KA | | 1 | | |
| 56 | C | 102527 | GASKET | R322206-3 | | 1 | | |
| 57 | C | 104510 | FILTER | R426857 | | 1 | | |
| 58 | | 121504 | SUCTION FILTER COVER | R426412 | | 1 | | |
| 59 | | 100115 | OIL CHARGE PLUG | NI41011-2 | PUG3/8 | 1 | | |
| 60 | C | 205106 | SIGHT GLASS | ME42051-2 | D27 D60X T7.3 | 1 | | |
| 63 | | 292011 | GAUGE JOINT WITH CHECK VALVE | 2PF00177-1 | VCG2DA NPTF1/8-27 D6.4CUT | 2 | | |



8CC552-3

| No. | Index | Parts No. | Parts Name | Drwg. No. | Parts Model & Specification | Q'ty/Unit | Wiring Symbol | Notes |
|------|-------|-----------|--------------------------------|---------------|-------------------------------|-----------|---------------|-------|
| | | | | | | 8CC552-3 | | |
| 1 | | 109101 | CYLINDER HEAD COVER (A) | R2112666-1-KA | | 2 | | |
| 1 | | | CYLINDER HEAD COVER (A) | R2112666-1-KI | | 1 | | |
| 3 | | | CYLINDER HEAD COVER (A) | R2112666-2-KI | | 1 | | |
| 4 | | 109103 | BOTTOM COVER | R2112700-1 | | 1 | | |
| 5 | | | SUCTION SIDE COVER | R2112292-1-KE | | 1 | | |
| 6 | | 109401 | SIDE COVER/ SHAFT SEAL SIDE | R415418-1 | | 1 | | |
| 7 | | 109528 | COVER/ SUCTION FILTER | R4266171-1 | | 1 | | |
| 9 | | 136213 | BLIND COVER | R4112711-1 | 110 X 80 X T8.5 | 2 | | |
| 10 | | 0190244 | OIL PUMP ASSY. | 2PC00268-1 | | 1 | | |
| 10-1 | | 0309389 | JOURNAL HOLDER | R3112783-1 | D59X L49 | 1 | | |
| 11 | | | BEARING METAL | R3112782-2 | | 1 | | |
| 12 | C | 0390633 | PACKING/ CYLINDER HEAD COVER | R3112297-6 | NON ASBESTOS T0.8 C55.HC55(2) | 3 | | |
| 13 | C | 0139326 | PACKING/ CYLINDER HEAD COVER | R3112297-4 | NON ASBESTOS T0.5 | 1 | | |
| 14 | C | 0139340 | PACKING/ BOTTOM COVER | R3112674-2 | 330X 368X T0.5 | 1 | | |
| 15 | C | 0139364 | PACKING/ SUCTION SIDE COVER | R4112676-2 | 332X 288X T0.5 | 1 | | |
| 16 | C | 0139218 | PACKING/ SUCTION FILTER COVER | R4266025-3 | 48PH X 58PH T0.8 | 1 | | |
| 17 | C | 0139371 | PACKING/ BLIND COVER | R4111437-2 | | 2 | | |
| 18 | C | 0139357 | PACKING/ OIL PUMP | R4112675-3 | | 1 | | |
| 19 | C | 0139333 | PACKING/ VALVE SEAT | R316724-3 | | 4 | | |
| 20 | C | 0139388 | PACKING/ UNLOADED COVER | R418116-2 | | 8 | | |
| 21 | C | 0382586 | PACKING/ DISCHARGE SIDE FLANGE | 3PC01269-41 | OD48 X ID36 X T0.8 | 4 | | |
| 22 | C | 0136358 | PACKING/ STOP VALVE | R4112049-2 | T1.0 ASBEST FREE JOINT SHEET | 5 | | |
| 23 | C | 205123 | O-RING | TA31011-22 | M352/PHI27 LEVEL GAUGE | 1 | | |
| 24 | C | 100110 | O-RING | R411751-1 | D14.5X D2.5 | 1 | | |
| 25 | C | 264208 | O-RING | TA31011-38 | POR-P 75 | 2 | | |
| 26 | | 136201 | PISTON | R312620 | D55X 50.2 | 8 | | |
| 27 | | 109204 | PISTON RING | R412411-1 | D55X T3.0 | 8 | | |
| 28 | | 109205 | OIL RING | R412548-1 | D55X T4.0 | 8 | | |
| 29 | | 0206637 | PISTON PIN | 3PC00174-16 | | 8 | | |
| 30 | | 104206 | RETAINING RING/ PISTON PIN | R412221-1 | D24.5X T1.0 | 16 | | |
| 31 | | 109220A | CONNECTING ROD | R312622 | | 8 | | |
| 32 | | 109222 | STOPPER | R412522 | | 8 | | |
| 33 | | 109304 | CRANK SHAFT | R213707-3 | | 1 | | |
| 34 | | 109351 | RING/ CRANK SHAFT | R415416 | D50 | 1 | | |
| 35 | | 102309 | KEY/ CRANK SHAFT | R413515 | | 1 | | |
| 36 | | 0055428 | PLAIN WASHER | 4SK07001-20 | M20 | 1 | | |

8CC552-3

| No. | Index | Parts No. | Parts Name | Drwg. No. | Parts Model & Specification | Q'ty/Unit | Wiring Symbol | Notes |
|------|-------|-----------|----------------------------------|---------------|-----------------------------|-----------|---------------|-------|
| | | | | | | 8CC552-3 | | |
| 37 | | 102313 | NUT/ CRANK SHAFT | R41366 | M20 | 1 | | |
| 38 | | 124612D | SPLIT PIN | SI49005-40 | | 1 | | |
| 39 | | 104404 | SHAFT SEAL ASSY. | R315417-2 | | 1 | | *1 |
| 40 | | 100115 | OIL DRAIN PLUG | NI41011-2 | PUG3/8 | 1 | | |
| 41 | C | 109523 | OIL SUCTION FILTER | R3141189 | | 1 | | |
| 42 | | 252002 | HALF UNION JOINT | NI42021-5 | UFD-3C 3/8B NPTF3/8-18 | 1 | | |
| 43 | | 109519 | OIL CHECK VALVE ASSY. | R4141049-1 | D50 | 1 | | |
| 43-1 | | 1095191 | BODY/ OIL CHECK VALVE | R4141049-1-KA | | 1 | | |
| 43-2 | | 1095192 | OIL CHECK VALVE PLATE | R4141049-1-KI | | 1 | | |
| 43-3 | C | 1095193 | CHECK VALVE GASKET | R4141049-1-KU | | 1 | | |
| 44 | | 0309466 | DEMISTER | R4141192-1 | | 1 | | |
| 45 | | 109522 | SUCTION FILTER | R4266019-4 | D48X 169 | 1 | | |
| 46 | C | 205106 | SIGHT GLASS | ME42051-2 | D27 D60X T7.3 | 1 | | |
| 47 | | 109608 | VALVE SEAT (LOW STAGE) | R216743-1 | 260X 134X T8 | 3 | | |
| 48 | | 109609 | VALVE SEAT (HIGH STAGE) | R216743-2 | 260X 134X T8 | 1 | | |
| 49 | | 109601 | SUCTION VALVE PLATE | R416674-1 | D76X D56X T0.8 | 8 | | |
| 50 | | 109602 | DISCHARGE VALVE PLATE | R416673-1 | | 8 | | |
| 51 | | 0188234 | SPRING/ VALVE PLATE | R416763-1 | | 96 | | |
| 52 | | 109604 | DISCHARGE VALVE GUIDE | R316817-1 | | 8 | | |
| 53 | | 109605 | SAFETY SPRING | R416671-1 | D38X 26.5 | 8 | | |
| 54 | | 132107 | KNOCK PIN/ VALVE SEAT | 4PC00021-1 | D5X L24 | 8 | | |
| 55 | | 109700 | UNLOADED COVER | R318115-1 | | 8 | | |
| 56 | | 109701 | UNLOADED PISTON | R318185-1 | 63X 48.5X 23 | 6 | | |
| 57 | | 109702 | RETAINER/ UNLOADED PISTON | R418184-1 | D35.5X D6.1X T2.0 | 6 | | |
| 58 | | 109708 | GROOVED PIN/ UNLOADER | R4141155-1 | D3.2X L30 | 6 | | |
| 59 | | 109704 | SPRING/ UNLOADED PISTON | R418117-1 | D26.5X L28.6 | 6 | | |
| 60 | | 109705 | LIFT PIN UNLOADER | R418154-2 | D5X L54.3 | 24 | | |
| 61 | | 112706 | SPRING/ LIFT PIN | R418158 | D8.7 X L16 | 24 | | |
| 62 | | 109707 | E-RING/ LIFT PIN | TI40013-6 | D9 X D4 | 24 | | |
| 63 | C | 109703 | PACKING/ UNLOADED PISTON | R318169-1 | D37X D28.5X T4.9 | 6 | | |
| 64 | | 1849208 | SPRING WASHER | 4SK07101-6N | M6 | 6 | | |
| 65 | | 0323518 | HEX. BOLT | 4SK01004-12N | M6 X 12 | 6 | | |
| 66 | | 252001A | UNION JOINT | NI42021-1 | UFD-2B 1/4B D6.4CUT | 4 | | |
| 67 | | 292011 | GAUGE JOINT WITH CHECK VALVE | 2PF00177-1 | VCG2DA NPTF1/8-27 D6.4CUT | 7 | | |
| 70 | | 0029272 | MAGNET | 4PC00715-1 | D32 X T8 | 1 | | |
| 72 | | | DISCHARGE PIPE JOINT (HIGH SIDE) | R4221182 | | 1 | | |

8CC552-3

| No. | Index | Parts No. | Parts Name | Drwg. No. | Parts Model & Specification | Q'ty/Unit | Wiring Symbol | Notes |
|-----|-------|-----------|---------------------------------|-----------|-----------------------------|-----------|---------------|-------|
| | | | | | | 8CC552-3 | | |
| 73 | | 9999691 | DISCHARGE PIPE JOINT (LOW SIDE) | R3221165 | | 1 | | |
| 75 | | 109223A | CRANK PIN METAL | R312485-1 | C/HC55(2)X | 16 | | |
| 76 | | 109221 | SET BOLT/ CONNECTING ROD | R412521 | | 16 | | |

Note:

*1 Components of shaft seal are not available individually. So/ replace a complete shaft seal assy. With a new one.